

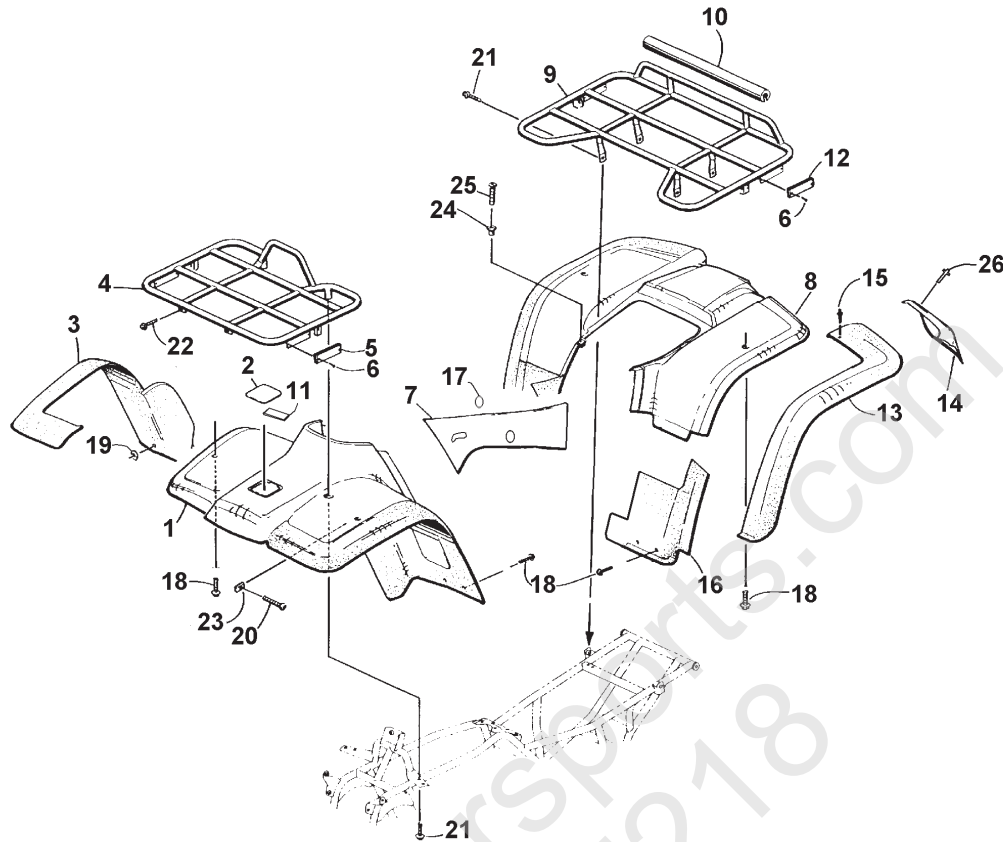
TABLE OF CONTENTS

2000 ATV 500 cc AUTOMATIC

(Model No. A2000ATM4BUSR - Red) (Model No. A2000ATM4BUSG - Green)

AIR INTAKE ASSEMBLY	17	B5
BODY PANEL ASSEMBLY	1	A3
CAM CHAIN ASSEMBLY	33	C7
CAMSHAFT/VALVE ASSEMBLY	32	C6
CARBURETOR	23	B11
CASE/BELT COOLING ASSEMBLY	28	C2
CONTROL SWITCH HOUSING ASSEMBLY	45	D5
COOLING ASSEMBLY	20	B8
CRANK BALANCER ASSEMBLY	31	C5
CRANKCASE ASSEMBLY	26	B14
CRANKCASE COVER ASSEMBLY	27	C1
CRANKSHAFT ASSEMBLY	29	C3
CYLINDER ASSEMBLY	25	B13
CYLINDER HEAD ASSEMBLY	24	B12
DECALS	3	A5
ENGINE AND EXHAUST	19	B7
FINAL BEVEL GEAR ASSEMBLY (FRONT)	42	D2
FRAME AND RELATED PARTS	4	A6
FRONT SHIFT LINKAGE ASSEMBLY	16	B4
FRONT SUSPENSION ASSEMBLY	7	A9
GAS TANK ASSEMBLY	14	B2
GEAR SHIFT ASSEMBLY	40	C14
HYDRAULIC BRAKE ASSEMBLY	13	B1
HYDRAULIC FOOT BRAKE ASSEMBLY	10	A12
HYDRAULIC HAND BRAKE ASSEMBLY (VIN # 319568--320799; 324000 AND UP)	11	A13
HYDRAULIC HAND BRAKE ASSEMBLY (VIN # 320800--323999)	12	A14
MAGNETO ASSEMBLY	44	D4
OIL FILTER/PUMP ASSEMBLY	35	C9
REAR AXLE ASSEMBLY	21	B9
REAR SUSPENSION ASSEMBLY	8	A10
RECOIL STARTER ASSEMBLY	34	C8
RELATED ITEMS	Back Cover	D7
SEAT ASSEMBLY	5	A7
SECONDARY DRIVE ASSEMBLY	39	C13
SECONDARY GEAR SHIFT ASSEMBLY	41	D1
SECONDARY TRANSMISSION ASSEMBLY	38	C12
SHIFT LEVER ASSEMBLY	15	B3
STARTER CLUTCH ASSEMBLY	30	C4
STARTER MOTOR ASSEMBLY	43	D3
STEERING ASSEMBLY	6	A8
STORAGE BOX AND BATTERY ASSEMBLY	18	B6
TAILLIGHT ASSEMBLY	2	A4
THROTTLE CONTROL ASSEMBLY	46	D6
TRANSMISSION ASSEMBLY	37	C11
WATER PUMP ASSEMBLY	36	C10
WHEEL AND TIRE ASSEMBLY	9	A11
WIRING HARNESS ASSEMBLY	22	B10

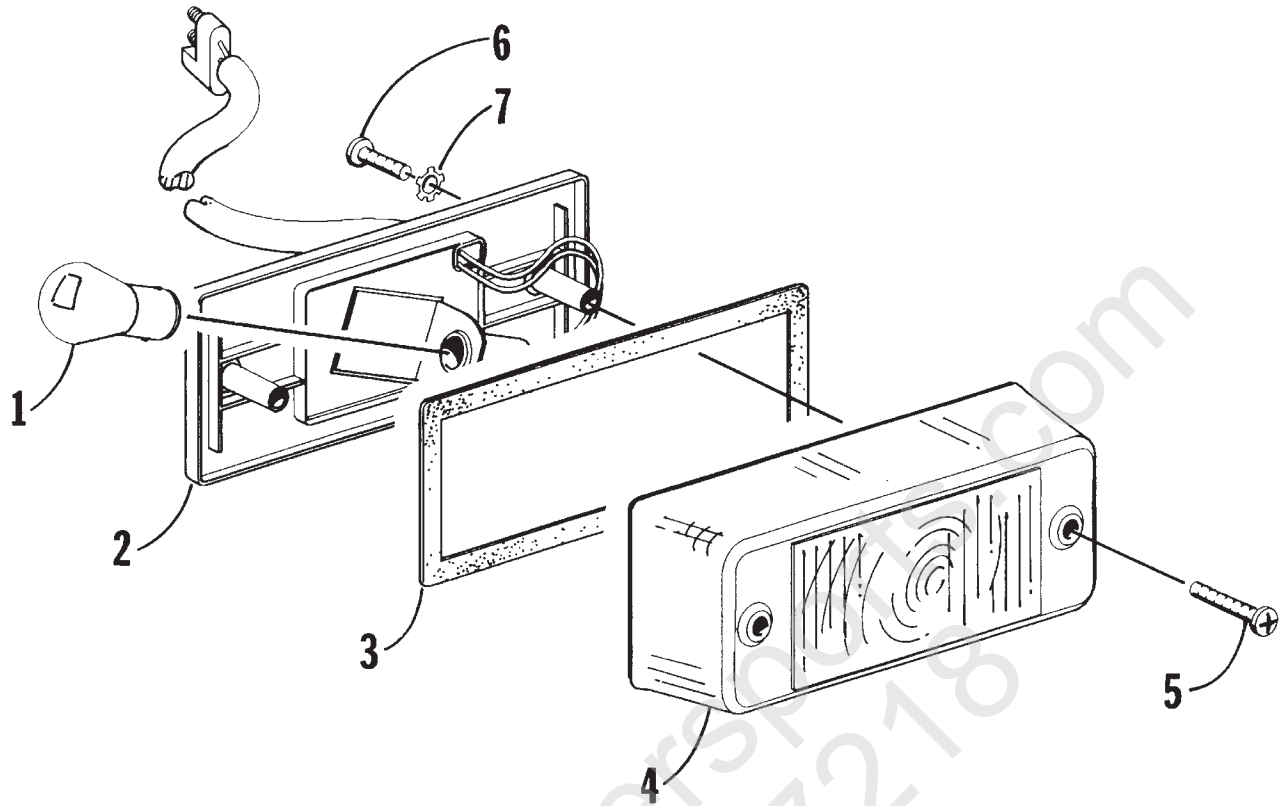
■ **NOTE:** The illustrations used in this Parts Manual are for reference to replacement part numbers only and are not to be used for assembly. For assembly procedures, use an Arctic Cat Service Manual. Underlined part numbers are new for the 2000 model year.



BODY PANEL ASSEMBLY

0735-671

Ref.	Part No.	Qty.	Description	Ref.	Part No.	Qty.	Description
1	<u>0506-393</u>	1	Panel, Fender - Front (Red)	12	0606-029	2	Reflector, Rear - Red
	<u>0506-392</u>	1	Panel, Fender - Front (Green)	13	0406-082	1	Flare, Rear - Right
2	0506-153	1	Cover, Access (Red)		0406-083	1	Flare, Rear - Left
	0506-145	1	Cover, Access (Green)	14	<u>0406-558</u>	1	Mud Flap - Right
3	<u>0506-342</u>	1	Flare, Front - Right		<u>0406-559</u>	1	Mud Flap - Left
	<u>0506-343</u>	1	Flare, Front - Left	15	0423-046	AR	Rivet, Plastic
4	0506-293	1	Rack - Front	16	<u>0506-336</u>	1	Fender Extension - Rear - Right
5	0606-526	2	Reflector, Front - Yellow		<u>0506-337</u>	1	Fender Extension - Rear - Left
6	0623-269	8	Clip, Retaining	17	<u>0470-404</u>	1	Grommet, Fuel Shut-Off Valve Knob
7	<u>0506-370</u>	1	Panel, Side - Right (Red)	18	0423-101	AR	Screw, Body
	0506-243	1	Panel, Side - Left (Red)	19	8424-602	1	Nut, Flange
	<u>0506-372</u>	1	Panel, Side - Right (Green)	20	8477-616	2	Screw, Machine
	0506-165	1	Panel, Side - Left (Green)	21	8409-020	6	Screw, Cap
8	0506-258	1	Panel, Fender - Rear (Red)	22	8408-812	2	Screw, Cap
	0506-302	1	Panel, Fender - Rear (Green)	23	0423-031	2	Nut, Speed
9	0506-292	1	Rack - Rear	24	0123-010	2	Nut, Expansion
10	0406-293	1	Wrap, Tube - Rear Rack	25	0423-068	2	Screw, Machine
11	0417-002	1	Foam, Access Panel	26	<u>0423-168</u>	8	Rivet

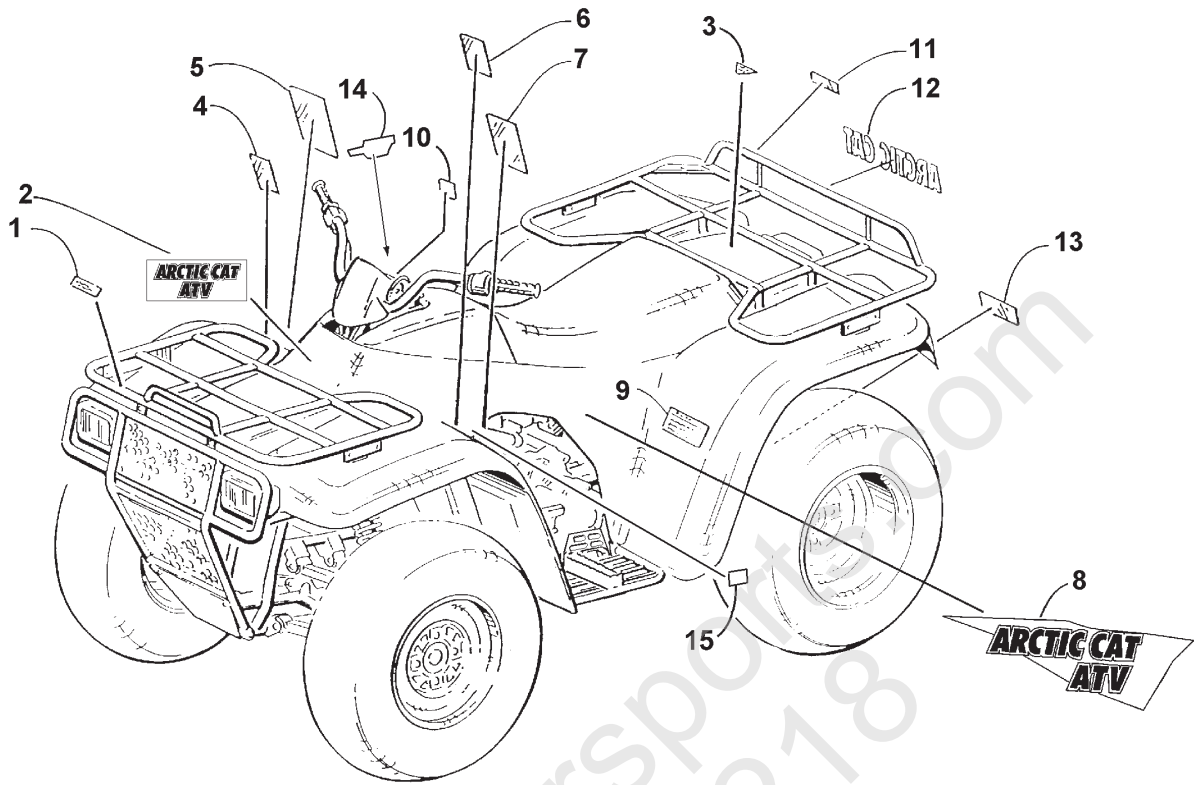


TAILLIGHT ASSEMBLY

(Complete Taillight Assembly p/n 0409-002)

0732-336

Ref.	Part No.	Qty.	Description	Ref.	Part No.	Qty.	Description
1	0109-460	1	Bulb, Stop/Taillight	4	0409-007	1	Lens, Taillight
2	0409-011	1	Taillight w/Socket Assembly	5	0409-010	2	Screw, Machine
3	0409-012	1	Gasket, Taillight Lens	6	0623-301	2	Screw, Self-Tapping
				7	8053-212	2	Washer, Lock - External Tooth

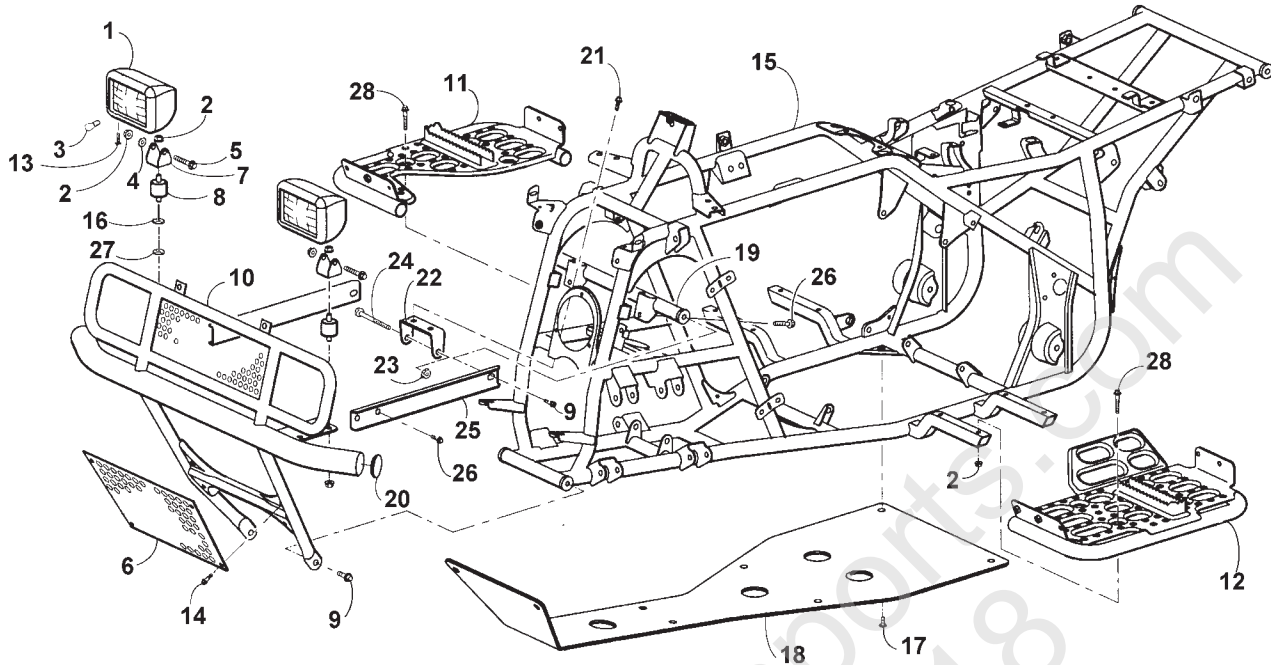


DECALS

0735-519

Ref.	Part No.	Qty.	Description	Ref.	Part No.	Qty.	Description
1	0411-006	1	Decal, Warning - Front Rack Load	8	0411-288	1	Decal, "500" - Right Side (Red)
2	0411-216	1	Decal, Front (Red)		0411-289	1	Decal, "500" - Left Side (Red)
	0411-211	1	Decal, Front (Green)		0411-286	1	Decal, "500" - Right Side (Green)
3	3611-002	1	Decal, "Made In U.S.A."		0411-287	1	Decal, "500" - Left Side (Green)
4	0411-045	1	Decal, Warning - Turn	9	0411-228	1	Decal, Warning - Tire Pressure
5	0411-008	1	Decal, Warning Reverse/Pre-Ride	10	0411-294	1	Decal, Fuel Valve (Red)
6	0411-040	1	Decal, Warning - Age		0411-293	1	Decal, Fuel Valve (Green)
7	0411-218	1	Decal, Warning - General	11	0411-007	1	Decal, Warning - Rear Rack Load
				12	0411-043	1	Decal, "Arctic Cat"
				13	0411-267	1	Decal, Warning - Towing
				14	0411-291	1	Decal, "Duramatic"
				15	0411-011	1	Decal, Caution - Electrical

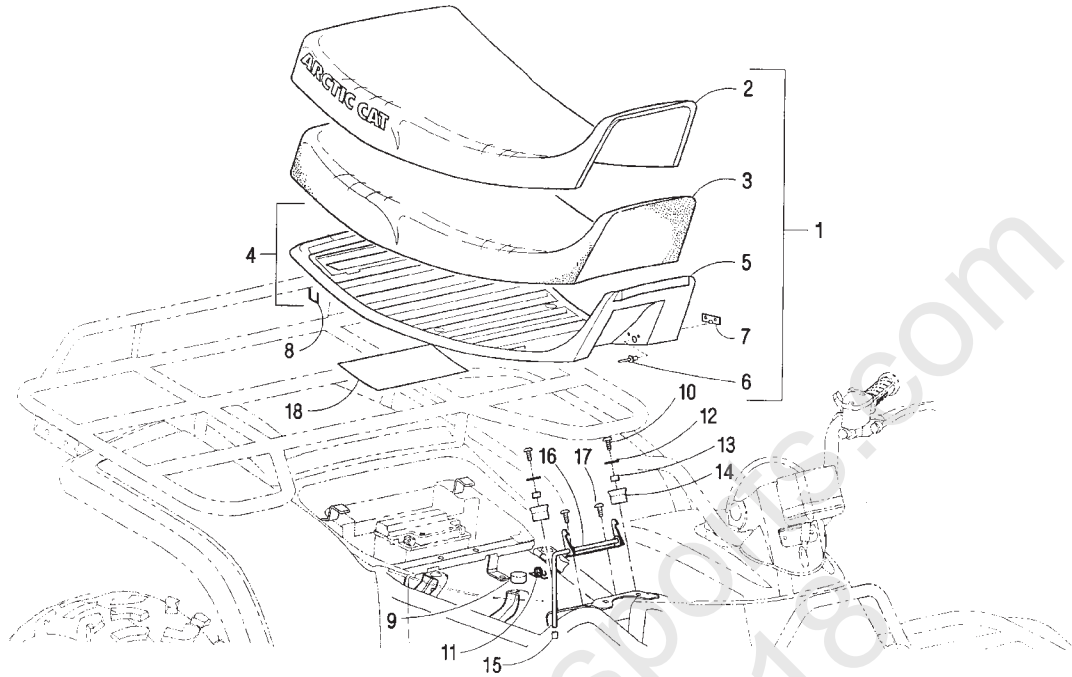
2000 ATV 500 AUTOMATIC



FRAME AND RELATED PARTS

0735-520

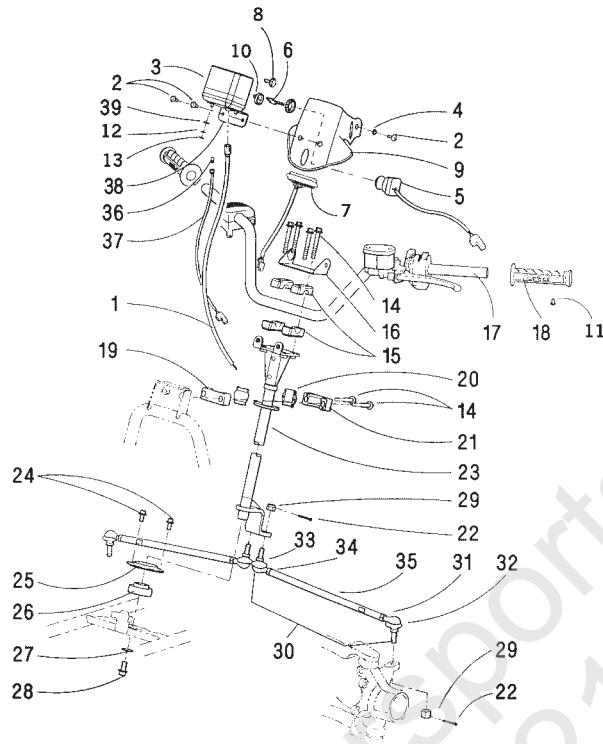
Ref.	Part No.	Qty.	Description	Ref.	Part No.	Qty.	Description
1	0409-001	2	Headlight Assembly (inc. 3 and 13)	17	0423-101	8	Screw, Body
2	8424-802	9	Nut, Flange	18	0406-516	1	Panel, Belly
3	0409-005	2	Bulb, Headlight	19	0506-079	1	Tube, Cross - Bumper
4	8053-242	2	Washer, Lock - External Tooth	20	0406-130	2	Cap, Bumper
5	8408-850	2	Screw, Cap	21	8408-820	2	Screw, Cap
6	0406-175	1	Screen, Bumper - Lower	22	0506-149	1	Bracket, Differential
7	0406-261	2	Yoke, Headlight	23	8428-002	2	Nut, Lock
8	0406-262	2	Mount, Headlight	24	3423-010	2	Screw, Cap
9	8409-020	4	Screw, Cap	25	0506-297	2	Channel, Bumper Mounting
10	0506-294	1	Guard, Brush	26	8408-812	6	Screw, Cap
11	0506-338	1	Footrest - Right	27	0623-710	2	Washer, Lock - High Collar
12	0506-339	1	Footrest - Left	28	0423-162	7	Screw, Cap
13	0123-950	2	Screw, Self-Tapping				
14	8408-816	4	Screw, Cap				
15	0506-333	1	Frame, Main				
16	3423-204	2	Washer				



SEAT ASSEMBLY

0734-516 *Not a Service Part

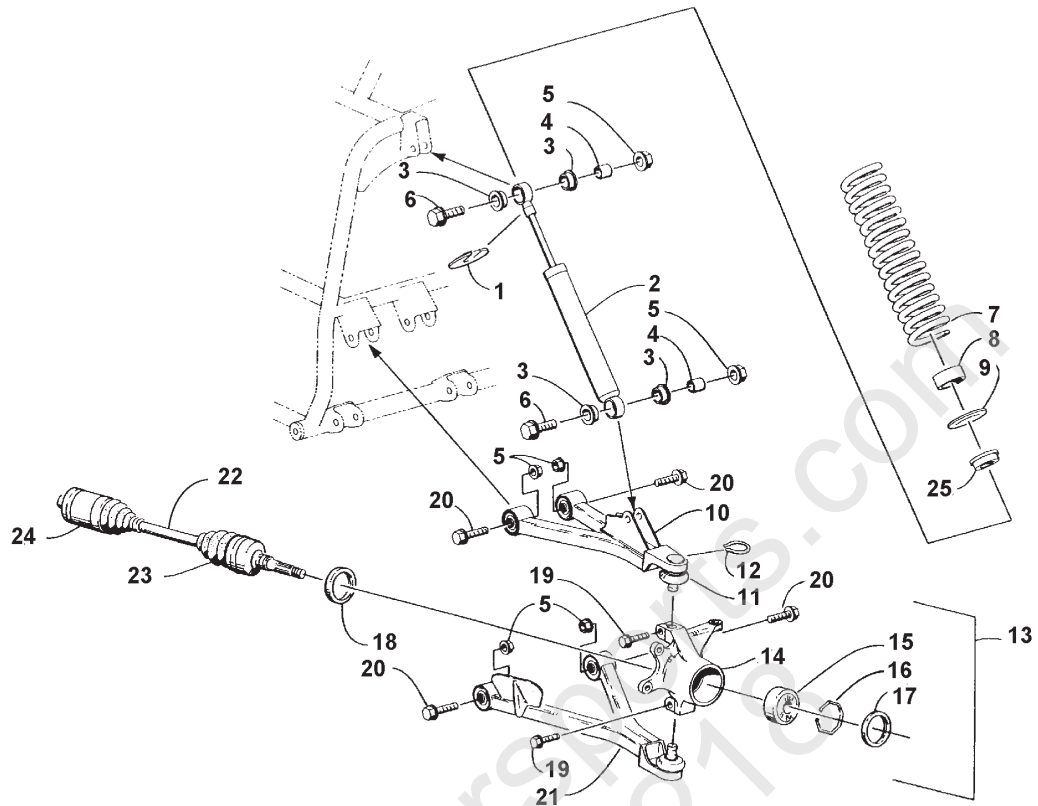
Ref.	Part No.	Qty.	Description	Ref.	Part No.	Qty.	Description
1	5990-176	1	Seat Assembly (inc. 2-8)	10	8476-620	2	Screw, Cap
2	0506-290	1	● Cover, Seat	11	0406-235	1	Spring, Seat Latch
3	0506-291	1	● Foam, Seat	12	8050-217	2	Washer
4	0506-223	1	● Base, Seat Assembly (inc. 5-7)	13	0406-199	2	Collar, Front Seat Base
5	*	1	●● Base, Seat	14	0406-171	2	Bumper, Seat Base - Front
6	8061-628	4	●● Rivet	15	0623-404	1	Cap, Protector
7	0506-147	2	●● Pin, Seat Base - Front	16	0406-490	1	Latch, Seat - Assembly
8	0624-100	AR	● Staple	17	8477-616	2	Screw, Machine
9	0406-309	2	Grommet, Seat - Center	18	0411-182	1	Decal, Cold Start



STEERING ASSEMBLY

0735-399

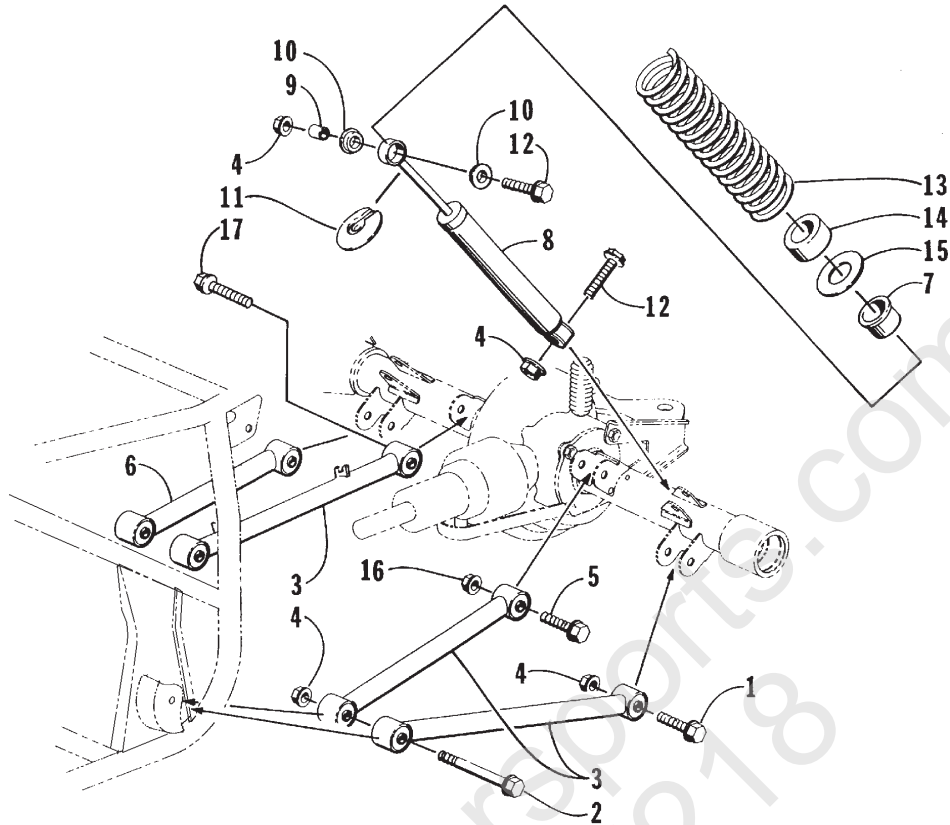
Ref.	Part No.	Qty.	Description	Ref.	Part No.	Qty.	Description
1	0487-005	1	Cable, Speedometer	20	0405-020	2	Bearing, Steering Post
2	8477-616	3	Screw, Machine	21	0605-147	1	Housing, Bearing - Upper
3	0420-031	1	Speedometer (inc. 8, 12-13, and 36-41)	22	0423-151	4	Clip, Hairpin
4	0423-052	1	Collar, Body	23	0505-073	1	Post, Steering
5	3430-040	1	Switch, Ignition - Assembly (inc. 6)	24	8408-816	2	Screw, Cap
6	3409-007	1	• Key, Ignition - Blank (C Series)	25	0602-233	1	Flange, Bearing
	3409-011	1	• Key, Ignition - Blank (D Series)	26	0405-052	1	Bearing w/Inverted Oil Seal
7	0420-029	1	Panel, Instrument	27	0423-073	1	Washer
8	0420-027	1	Knob, Speedometer Trip	28	8409-020	1	Screw, Cap
9	0405-063	1	Instrument Pod	29	0423-157	4	Nut, Top Lock
10	0409-013	1	Cover, Key	30	0505-072	2	Tie Rod Assembly (inc. 31-35)
11	8060-428	2	Rivet	31	8420-002	2	• Nut - Right
12	0420-017	2	Washer	32	0405-082	2	• Ball Joint, Tie Rod - Right
13	0420-015	2	Pin, Retainer	33	0405-083	2	• Ball Joint, Tie Rod - Left
14	8408-860	6	Screw, Cap	34	0423-013	2	• Nut - Left
15	0405-035	4	Cap, Steering Adjuster	35	0405-032	2	• Tie Rod
16	0506-348	1	Bracket, Ignition Switch	36	0420-019	1	Bulb, Speedometer
17	0505-028	1	Tube, Handlebar	37	0420-014	1	Harness, Speedometer
18	0405-039	2	Grip, Handlebar	38	0420-018	1	Bracket, Speedometer
19	0605-171	1	Housing, Bearing - Lower	39	0420-016	2	Mount, Rubber



FRONT SUSPENSION ASSEMBLY

0735-521

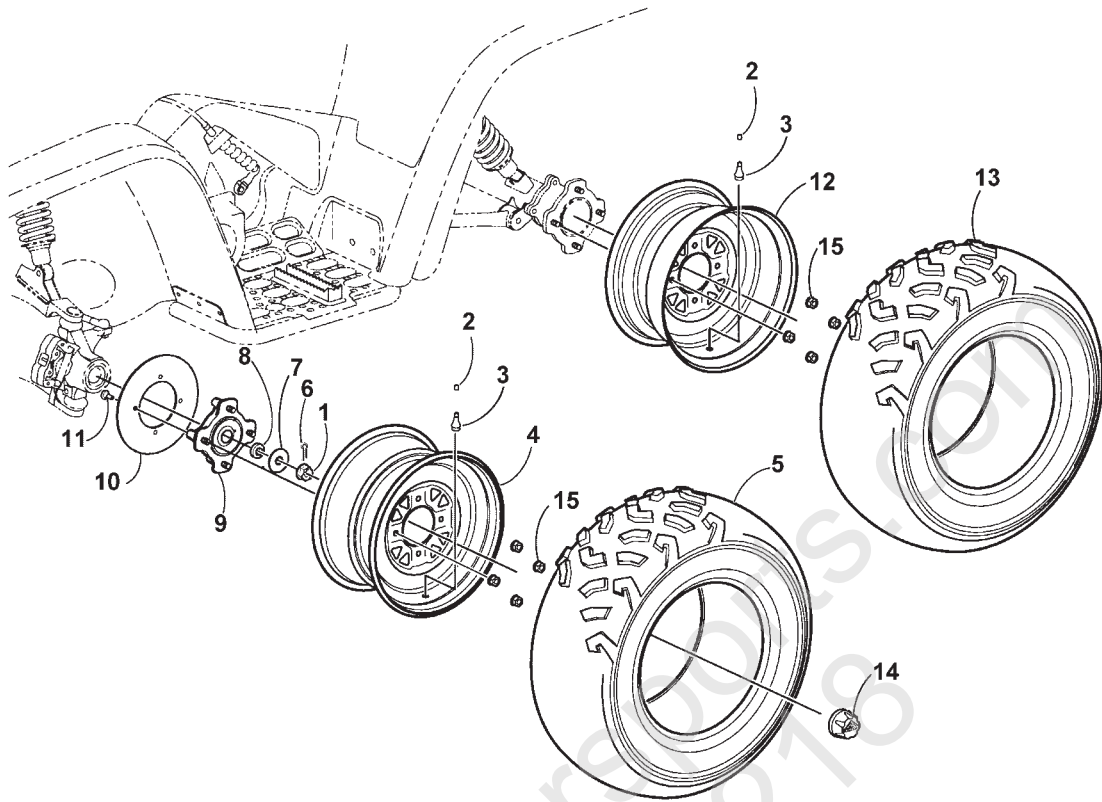
Ref.	Part No.	Qty.	Description	Ref.	Part No.	Qty.	Description
1	0603-033	2	Retainer, Spring	14	0505-062	1	● Knuckle, Steering - Right
2	0403-001	2	Shock Absorber - Front (inc. 3-4)	15	0505-063	1	● Knuckle, Steering - Left
3	0604-310	8	● Bushing, Shock Absorber	16	0402-275	2	● Bearing, Wheel Hub - Front
4	0403-028	4	● Sleeve, Shock	17	0423-034	2	● Clip, Bearing
5	8428-002	12	Nut, Lock	18	0402-089	2	● Seal, Wheel Bearing - Front
6	8409-040	4	Screw, Cap	19	0402-069	2	● Seal, Wheel Bearing - Front
7	0403-002	2	Spring, Shock Absorber	20	8409-030	4	Screw, Cap
8	0403-025	2	Collar, Spring	21	8409-060	8	Screw, Cap
9	0403-013	2	Washer, Spring	22	0503-082	1	A-Arm, Lower Right (inc. 11-12)
10	0503-026	1	A-Arm, Upper Right - Assembly (inc. 11-12)	23	0503-075	1	A-Arm, Lower Left (inc. 11-12)
	0503-027	1	A-Arm, Upper Left - Assembly (inc. 11-12)	24	0402-179	1	Axle, Drive - Front - Right
11	0405-068	4	● Ball Joint - Front	25	0402-249	1	Axle, Drive - Front - Left
12	0423-009	4	● Clip, Ball Joint		0436-114	2	Repair Kit, Outer Boot - Front Axle
13	0505-026	1	Knuckle - Assembly - Right (inc. 14-18)		0436-113	2	Repair Kit, Inner Boot - Front Axle
	0505-027	1	Knuckle - Assembly - Left (inc. 14-18)		0403-027	2	Retainer, Spring - Lower



REAR SUSPENSION ASSEMBLY

0735-538

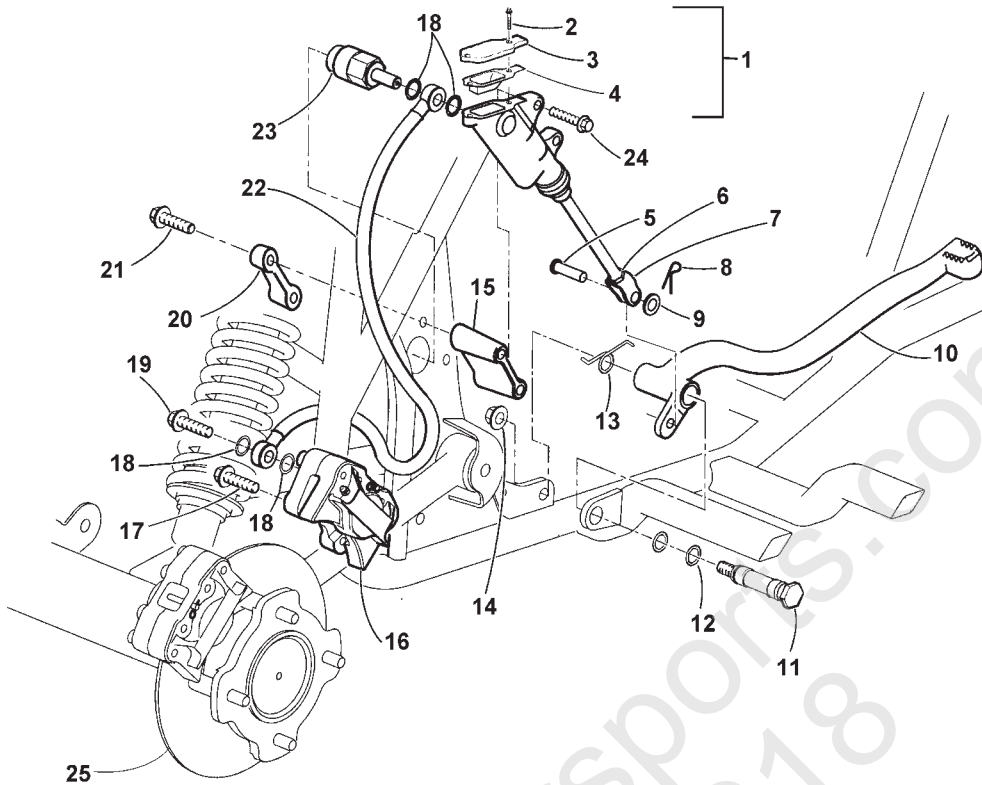
Ref.	Part No.	Qty.	Description	Ref.	Part No.	Qty.	Description
1	8409-060	2	Screw, Cap	10	0604-310	8	● Bushing, Shock Absorber
2	8409-000	2	Screw, Cap	11	0603-033	2	Retainer, Spring
3	0504-001	3	Arm, Swing	12	8409-040	4	Screw, Cap
4	8428-002	8	Nut, Lock	13	0404-006	2	Spring, Shock Absorber
5	8409-055	1	Screw, Cap	14	0403-025	2	Collar, Spring
6	0504-041	1	Arm, Swing	15	0403-013	2	Washer, Spring Adjustment
7	0403-027	2	Retainer, Spring - Lower	16	8422-002	1	Nut, Lock
8	0404-001	2	Shock Absorber - Rear (inc. 9-10)	17	8409-065	1	Screw, Cap
9	0403-028	4	● Sleeve, Shock				



WHEEL AND TIRE ASSEMBLY

0735-522

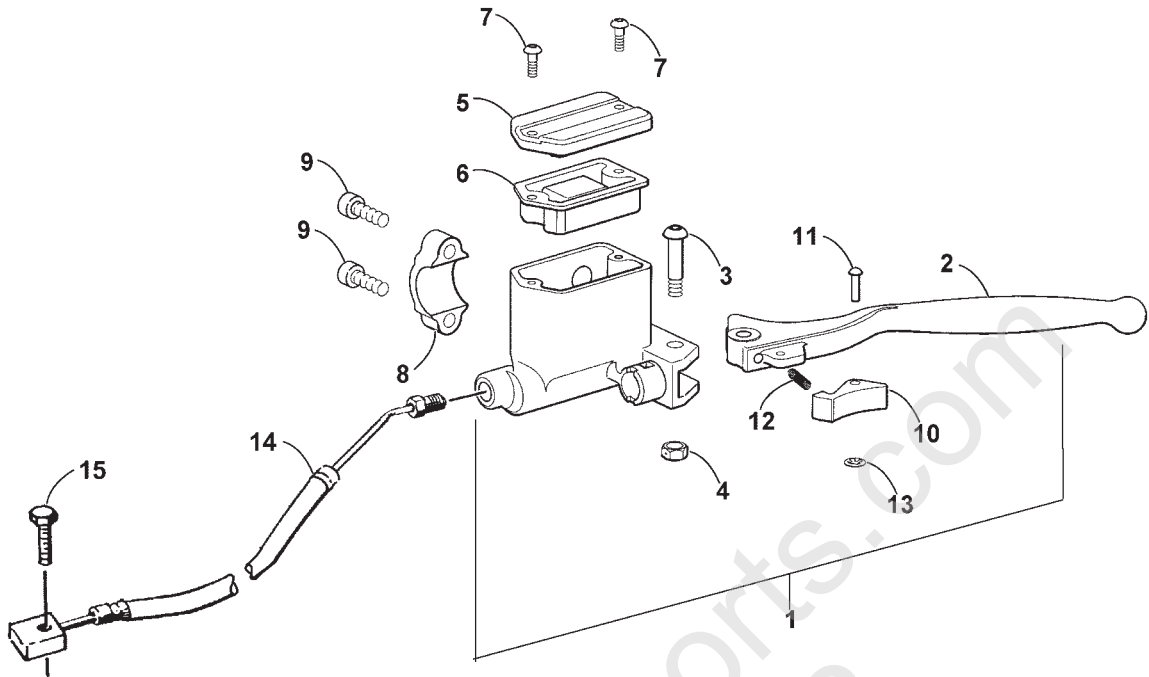
Ref.	Part No.	Qty.	Description	Ref.	Part No.	Qty.	Description
1	3423-213	2	Nut, Hex	8	0402-181	2	Seal, Hub
2	0402-140	4	Cap, Valve Stem	9	0502-163	2	Hub, Wheel - Front
3	0402-064	4	Stem, Valve	10	0402-009	2	Disc, Brake
4	0402-375	2	Wheel - Front	11	0423-029	8	Screw, Machine
5	0402-319	2	Tire - Front	12	0402-311	2	Wheel - Rear
6	0123-458	2	Pin, Cotter	13	0402-319	2	Tire - Rear
7	0423-080	2	Washer	14	0403-035	2	Cap, Wheel - Center
				15	0423-120	16	Nut, Mounting - Wheel



HYDRAULIC FOOT BRAKE ASSEMBLY

0735-523

Ref.	Part No.	Qty.	Description	Ref.	Part No.	Qty.	Description
1	0502-130	1	Master Cylinder Assembly (inc. 2-9)	13	0402-516	1	Spring, Foot Brake
2	0402-545	2	• Screw, Machine	14	8422-002	1	Nut
3	0402-588	1	• Cover, Reservoir	15	0502-144	1	Block, Foot Brake
4	0402-591	1	• Bladder, Reservoir	16	0402-488	1	Caliper, Brake
5	0402-575	1	• Pin, Clevis	17	8408-825	2	Screw, Cap
6	0402-592	2	• Nut	18	0423-039	4	Washer, Crush
7	0402-580	1	• Push-Rod, Actuator	19	0423-038	1	Bolt, Oil
8	0402-584	1	• Clip, Hairpin	20	0502-145	1	Block, Foot Brake
9	0402-583	1	• Washer	21	8408-840	2	Screw, Cap
10	0502-136	1	Lever, Foot Brake	22	0402-512	1	Hose, Brake
11	0402-370	1	Axle, Foot Brake	23	0402-525	1	Switch, Brake Pressure
12	0423-096	2	O-Ring	24	8408-830	2	Screw, Cap
				25	0402-009	1	Disc, Brake

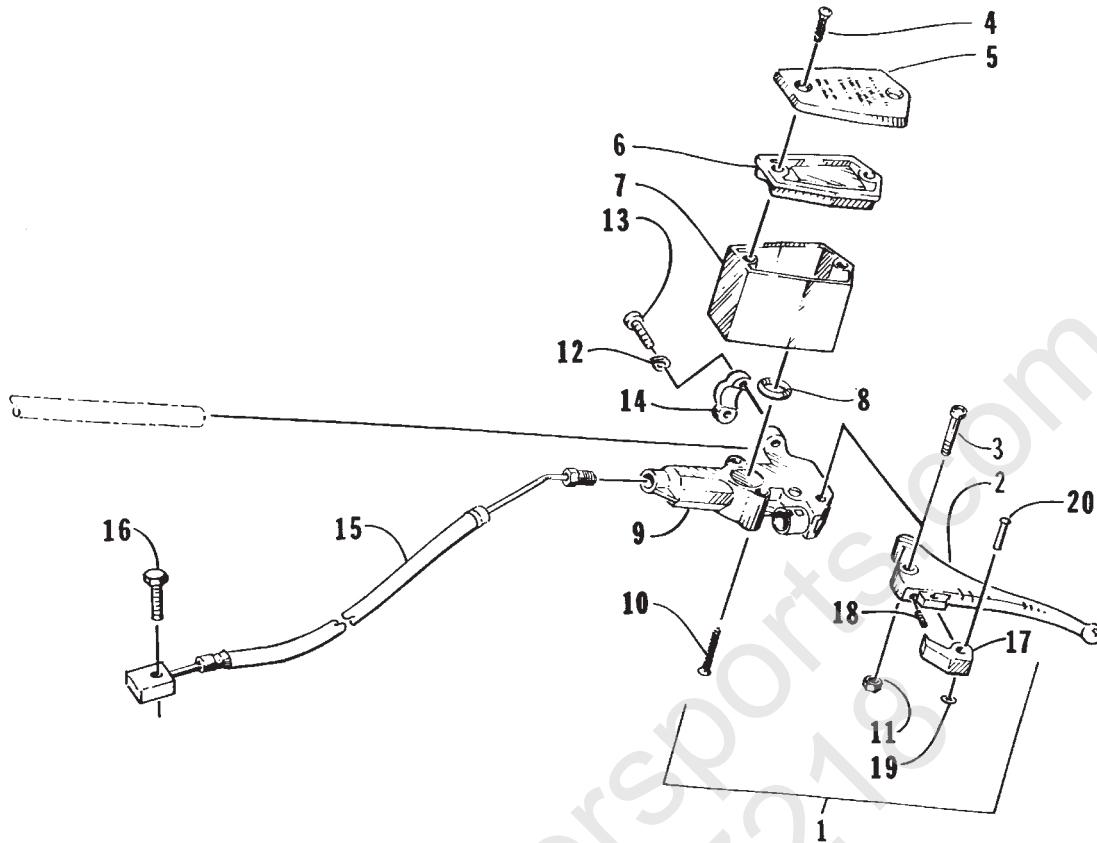


HYDRAULIC HAND BRAKE ASSEMBLY

(VIN # 319568-320799; 324000 and up)

0735-650

Ref. Part No.	Qty.	Description	Ref. Part No.	Qty.	Description		
1	0502-073	1	Cylinder, Master - Assembly (inc. 2-13)	8	0402-558	1	• Clamp, Master Cylinder
2	0402-542	1	• Lever, Brake	9	0402-562	2	• Screw
3	0402-549	1	• Screw	10	0402-546	1	• Lever, Brake - Lock
4	0402-557	1	• Nut, Lock	11	0402-547	1	• Rivet
5	0402-544	1	• Cover, Reservoir	12	0402-559	1	• Spring, Brake - Lever Lock
6	0402-553	1	• Bladder, Reservoir	13	0402-561	1	• Washer, Lock - Retaining
7	0402-545	2	• Screw	14	0402-050	1	Hose, Brakeline
				15	8476-625	1	Screw, Machine

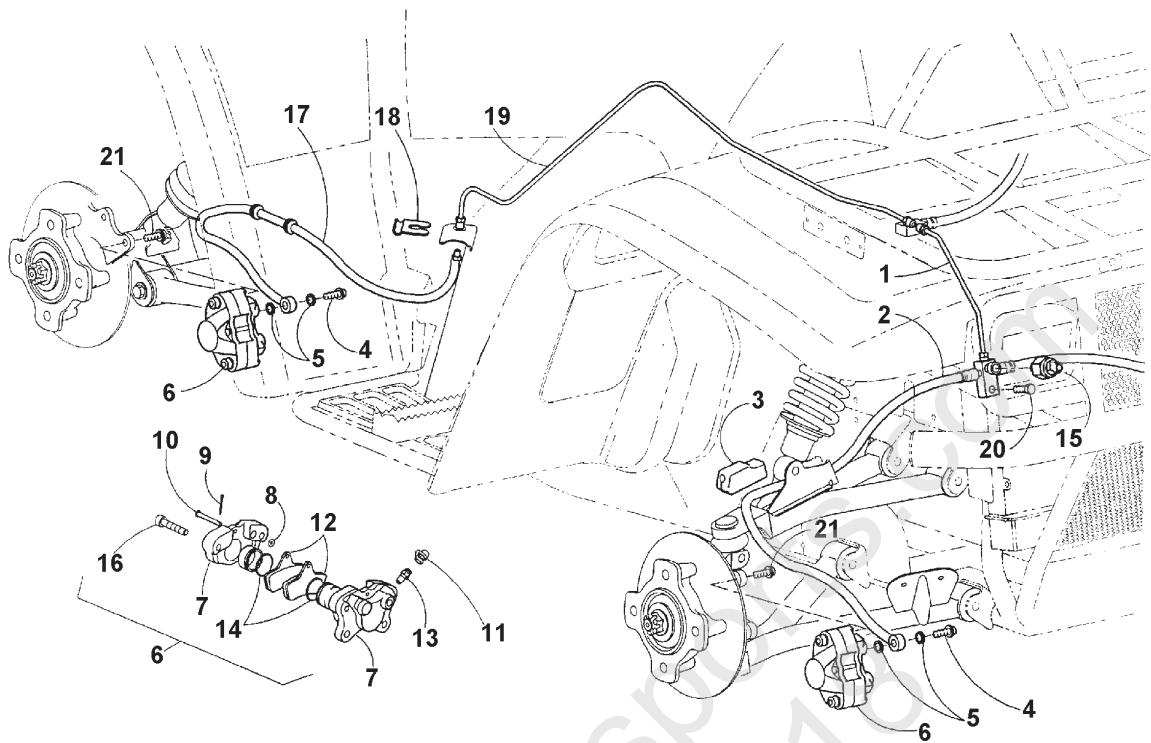


HYDRAULIC HAND BRAKE ASSEMBLY

0733-434 *Not a Service Part

(VIN # 320800-323999)

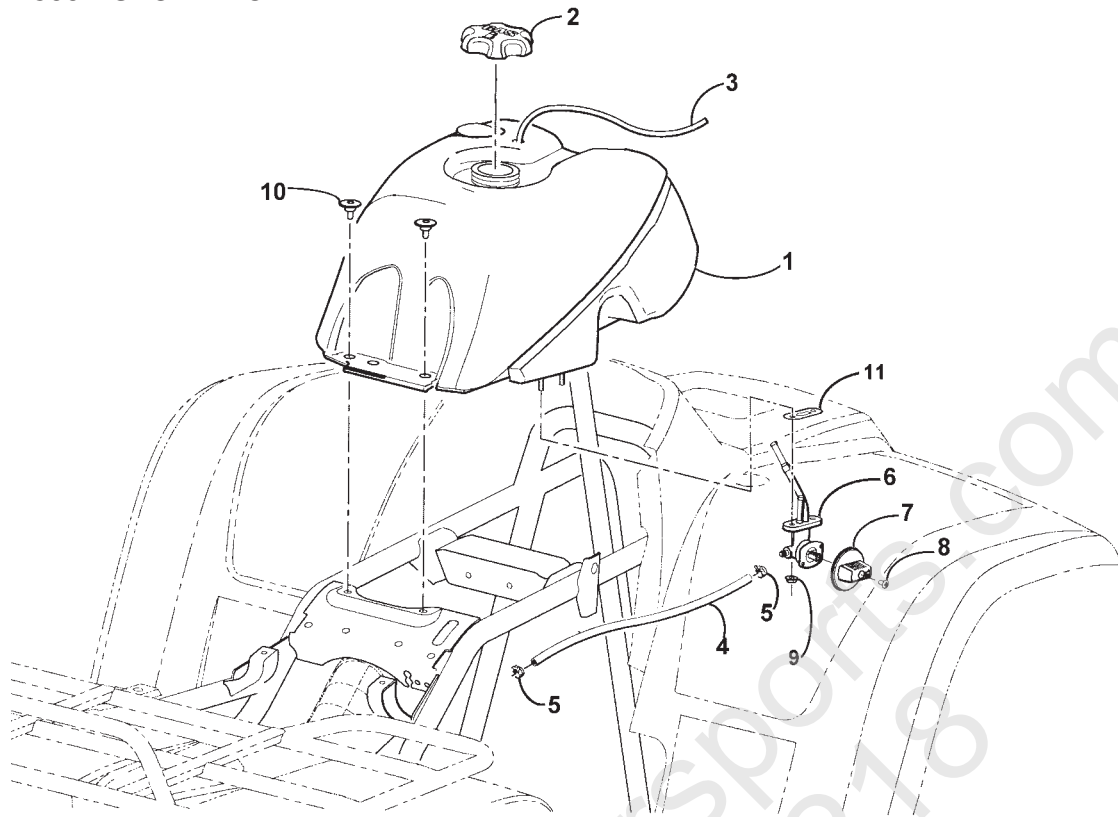
Ref. Part No.	Qty.	Description	Ref. Part No.	Qty.	Description		
1	0502-132	1	Lever, Brake - Assembly (inc. 2-14 and 17-20)	10	0623-432	2	• Screw, Reservoir Mount
2	0402-423	1	• Lever, Brake	11	0623-056	1	• Nut, Lock
3	0623-430	1	• Bolt, Lever Mounting	12	8052-212	2	• Washer, Lock - Internal Tooth
4	0623-506	2	• Screw, Cover - Reservoir	13	0623-613	2	• Screw, Clamp
5	0602-742	1	• Cover, Reservoir	14	0602-907	1	• Clamp
6	0602-741	1	• Gasket, Reservoir Cover	15	0402-050	1	Hose, Master Cylinder
7	0602-740	1	• Reservoir, Hydraulic Brake	16	8476-625	1	Screw, Cap
8	0602-587	1	• O-Ring, Reservoir	17	0402-240	1	Lever, Brake - Lock
9	*	1	• Master Cylinder	18	0402-245	1	Spring
				19	0423-090	1	Nut, Press
				20	0402-246	1	Pin



HYDRAULIC BRAKE ASSEMBLY

0735-672 *Not a Service Part

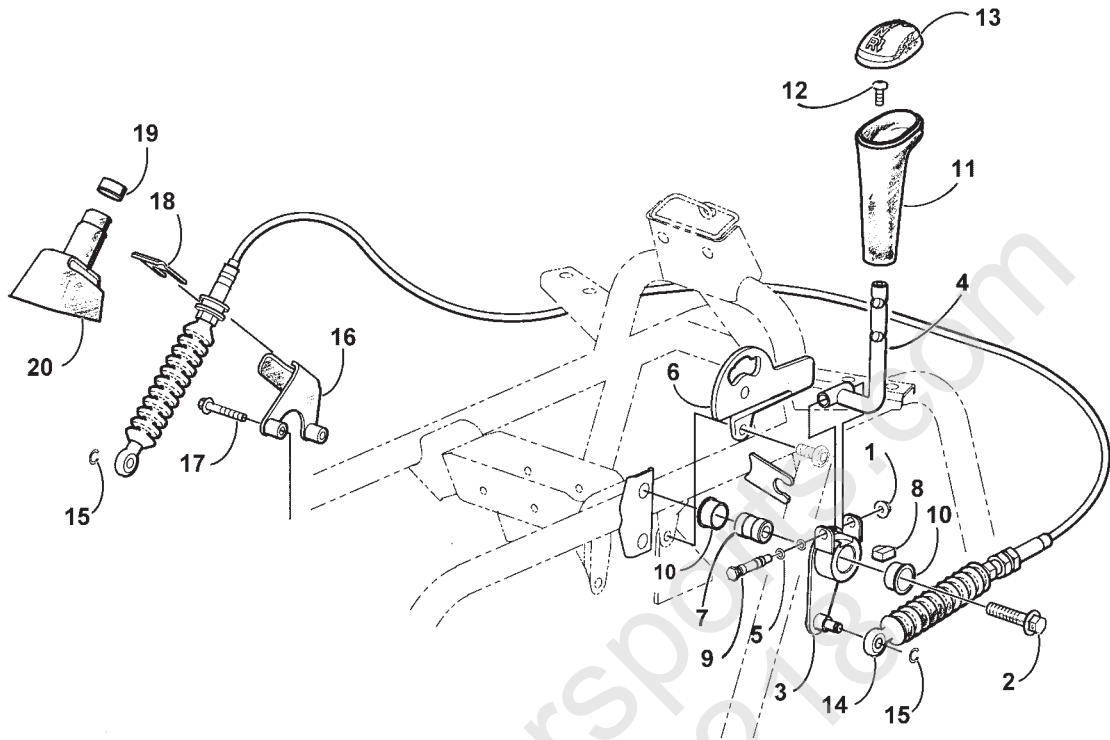
Ref.	Part No.	Qty.	Description	Ref.	Part No.	Qty.	Description
1	0402-373	1	Tube, Brakeline - Front	10	0402-495	3	● Pin, Brake Caliper
2	0402-307	1	Hose, Brake - Front	11	0402-493	3	● Cap, Bleed Valve
3	0402-073	2	Block, Mounting	12	0402-494	6	● Pad, Brake
4	0423-038	3	Bolt, Oil	13	0402-491	3	● Valve, Bleeder
5	0423-039	6	Washer, Crush	14	0402-487	6	● O-Ring, Brake Caliper
6	0402-488	1	Caliper, Brake - Right Front (inc. 7-14 and 16)	15	0402-306	1	Switch, Brake Pressure
	0402-489	2	Caliper, Brake - Left Front and Rear (inc. 7-14 and 16)	16	0402-492	12	Screw, Cap
7	*	3	● Housing, Caliper	17	0402-184	1	Hose, Brake - Rear
8	0402-490	3	● O-Ring	18	0402-115	1	Clip, Brakeline
9	0402-496	3	● Pin, Cotter	19	0402-515	1	Tube, Brakeline - Rear
				20	8476-625	1	Screw, Cap
				21	8408-825	6	Screw, Cap



GAS TANK ASSEMBLY

0735-524 *Not a Service Part

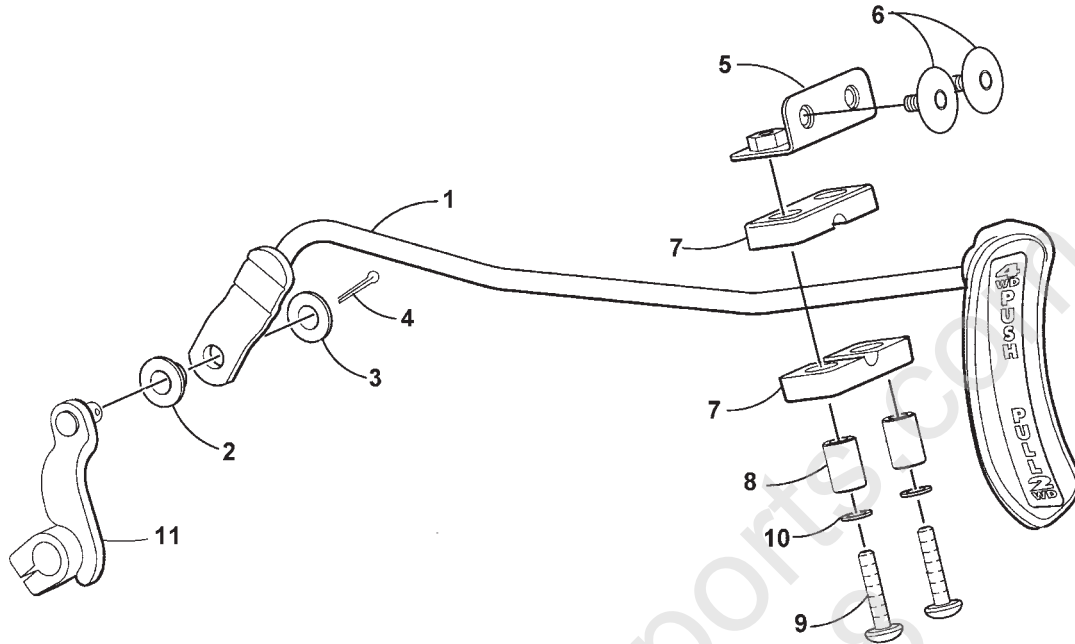
Ref. Part No.	Qty.	Description	Ref. Part No.	Qty.	Description		
1	0570-035	1	Tank, Gas - Assembly (inc. 2-9 and 11)	6	0470-401	1	• Valve, Fuel Shut-Off (inc. 11)
2	0470-380	1	• Cap, Gas Tank	7	0470-408	1	• Knob, Fuel Shut-Off Valve
3	0470-381	1	• Hose, Vent	8	0423-146	1	• Screw, Fuel Shut-Off Valve Knob
4	0610-007	AR	• Hose, Gasline - 25 ft	9	0624-250	2	• Nut, Lock
5	0423-152	2	• Clamp, Hose - Spring	10	0423-130	2	Screw, Gas Tank
				11	0470-364	1	Gasket, Fuel Shut-Off Valve



SHIFT LEVER ASSEMBLY

0735-525

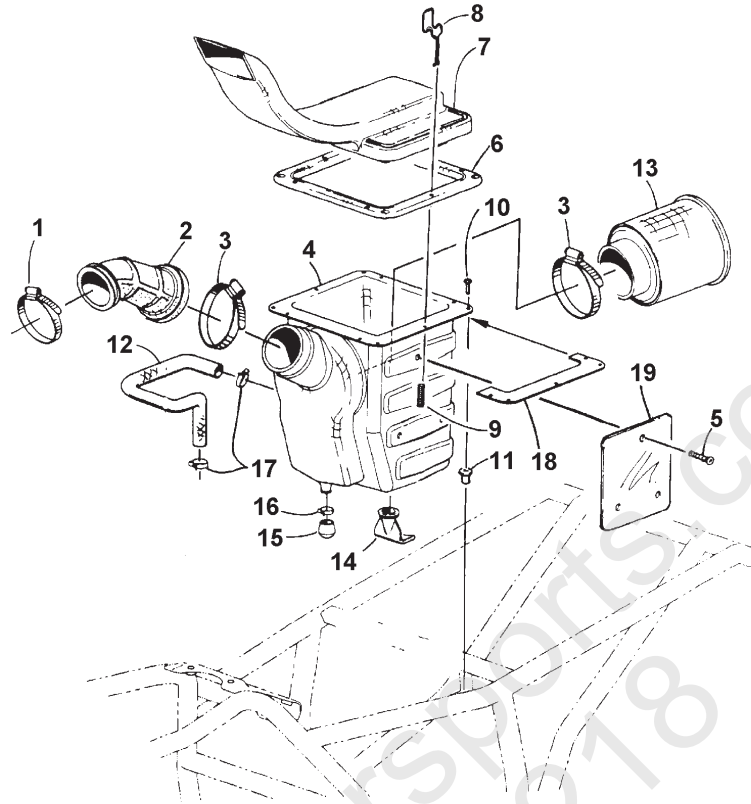
Ref.	Part No.	Qty.	Description	Ref.	Part No.	Qty.	Description
1	8424-602	1	Nut, Flex	11	0402-508	1	Handle, Shift
2	8409-045	1	Screw, Cap	12	8477-610	1	Screw, Machine
3	0502-159	1	Hub, Shift Lever	13	0402-470	1	Cap, Shift Handle
4	0502-158	1	Lever, Shift	14	0487-020	1	Cable, Shift
5	0423-163	2	O-Ring	15	0423-169	2	E-Ring
6	0402-572	1	Plate, Shift	16	0502-152	1	Bracket, Shift Cable
7	0402-571	1	Axle, Shift Lever Hub	17	0423-164	2	Screw, Machine
8	0402-567	1	Bumper, Plastic	18	3423-282	1	Clip, Shift Cable
9	0402-566	1	Axle, Shift Lever Pivot	19	0624-379	1	Clamp
10	0402-513	2	Bushing, Flange	20	0406-539	1	Cover, Shift Cable



FRONT SHIFT LINKAGE ASSEMBLY

0735-723

Ref. Part No.	Qty.	Description	Ref. Part No.	Qty.	Description		
1	0502-160	1	Linkage, Shift	6	0423-101	2	Screw, Body
2	0423-091	1	Bushing, Shift Linkage	7	0406-363	2	Bushing
3	8050-242	1	Washer	8	0402-256	2	Collar
4	0117-868	1	Pin, Cotter	9	8476-630	2	Screw, Machine
5	0506-400	1	Bracket, Shift	10	8050-222	2	Washer
				11	0502-148	1	Arm, Select

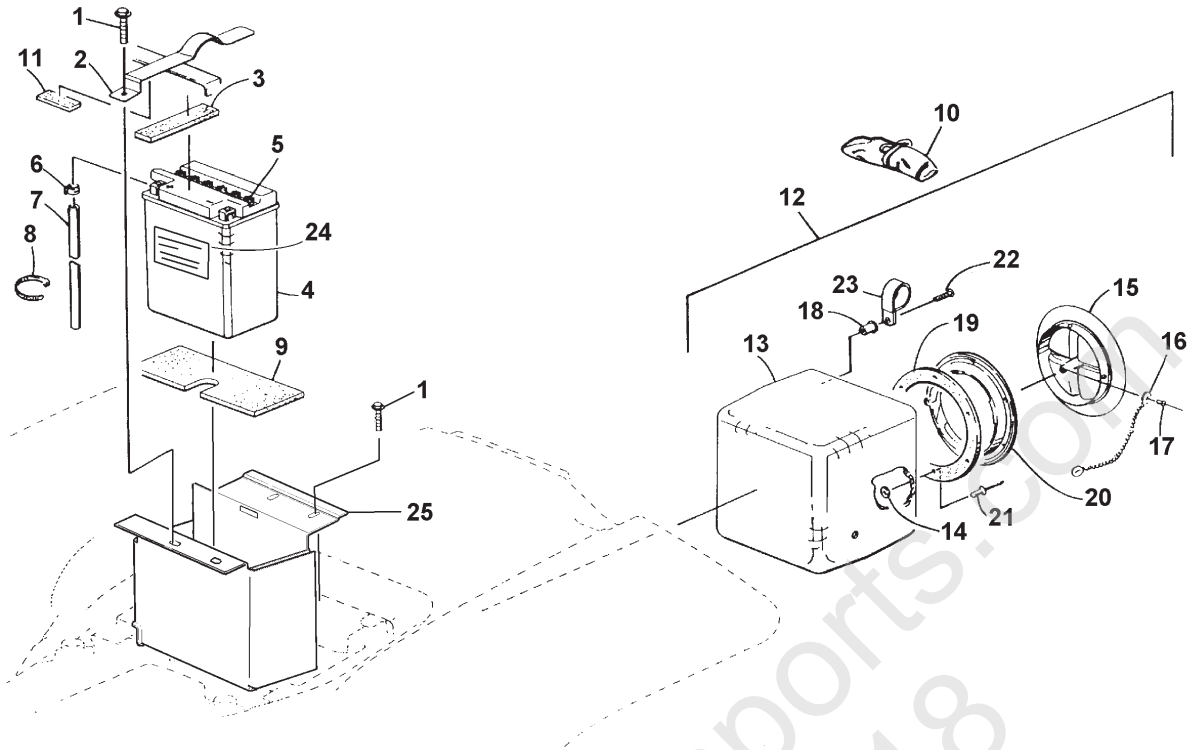


AIR INTAKE ASSEMBLY

0735-595

Ref.	Part No.	Qty.	Description	Ref.	Part No.	Qty.	Description
1	0423-019	1	Clamp	10	0623-121	3	Screw, Machine
2	0470-382	1	Boot, Air Cleaner	11	0123-010	3	Nut, Expansion
3	0423-018	2	Clamp	12	0410-023	1	Hose, Crankcase Vent
4	0470-384	1	Housing, Air Cleaner	13	0470-391	1	Filter, Air Cleaner
5	0623-301	3	Screw, Self-Tapping	14	0470-309	1	Valve, Air Cleaner
6	0470-343	1	Gasket, Air Cleaner	15	1673-272	1	Cap, Fitting - Air Cleaner
7	0470-383	1	Snorkel, Air Cleaner	16	0423-047	1	Clamp, Hose
8	0470-307	4	Clamp, Air Cleaner	17	0423-045	2	Clamp, Hose - Spring
9	0423-037	4	Spring, Air Cleaner	18	0470-351	2	Support, Air Cleaner Flange
				19	0406-540	1	Plate, Heat - Air Intake

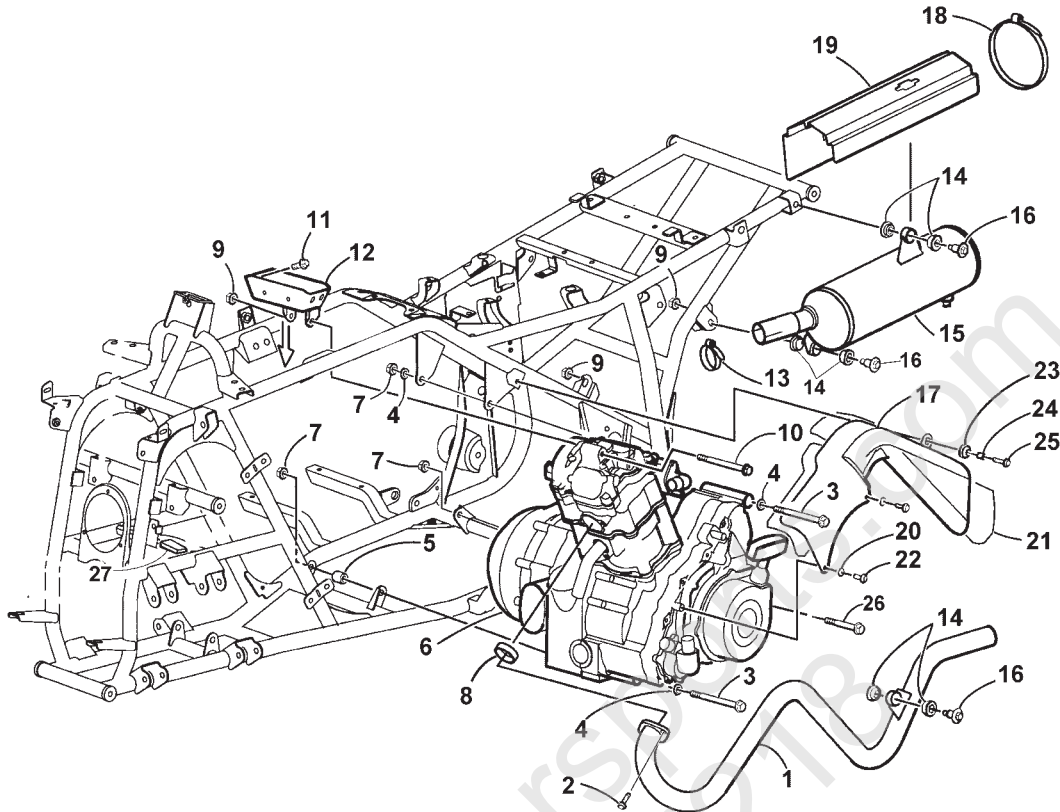
2000 ATV 500 AUTOMATIC



STORAGE BOX AND BATTERY ASSEMBLY

0735-631

Ref.	Part No.	Qty.	Description	Ref.	Part No.	Qty.	Description
1	8476-616	4	Screw, Machine	13	0406-257	1	• Box, Storage
2	0506-399	1	Strap, Battery w/Pads (inc. 3 and 11)	14	8050-152	6	• Washer
3	0406-289	1	• Pad, Battery - Upper Rear	15	0406-208	1	• Cover, Storage Box
4	0445-005	1	Battery Assembly (inc. 5-7)	16	0773-401	1	• Chain, Cover
5	0645-045	6	• Cap, Battery	17	8061-223	2	• Rivet
6	0645-152	1	• Clamp, Hose	18	0123-010	4	• Nut, Expansion
7	0645-263	1	• Hose, Battery Vent	19	0673-973	1	• Seal, Cover
8	0123-788	2	Cable Tie - 7 in.	20	0406-205	1	• Ring, Mounting - Cover
9	0406-556	1	Pad, Battery - Lower	21	8060-630	6	• Rivet
10	0444-079	1	Kit, Tool	22	0123-549	4	Screw, Machine
11	0406-548	1	Pad, Battery - Upper Front	23	0423-044	4	Clamp, Tube
12	0506-241	1	Storage Box - Assembly (inc. 13-21)	24	0645-151	1	Label, Warning - Battery
				25	0406-537	1	Box, Battery

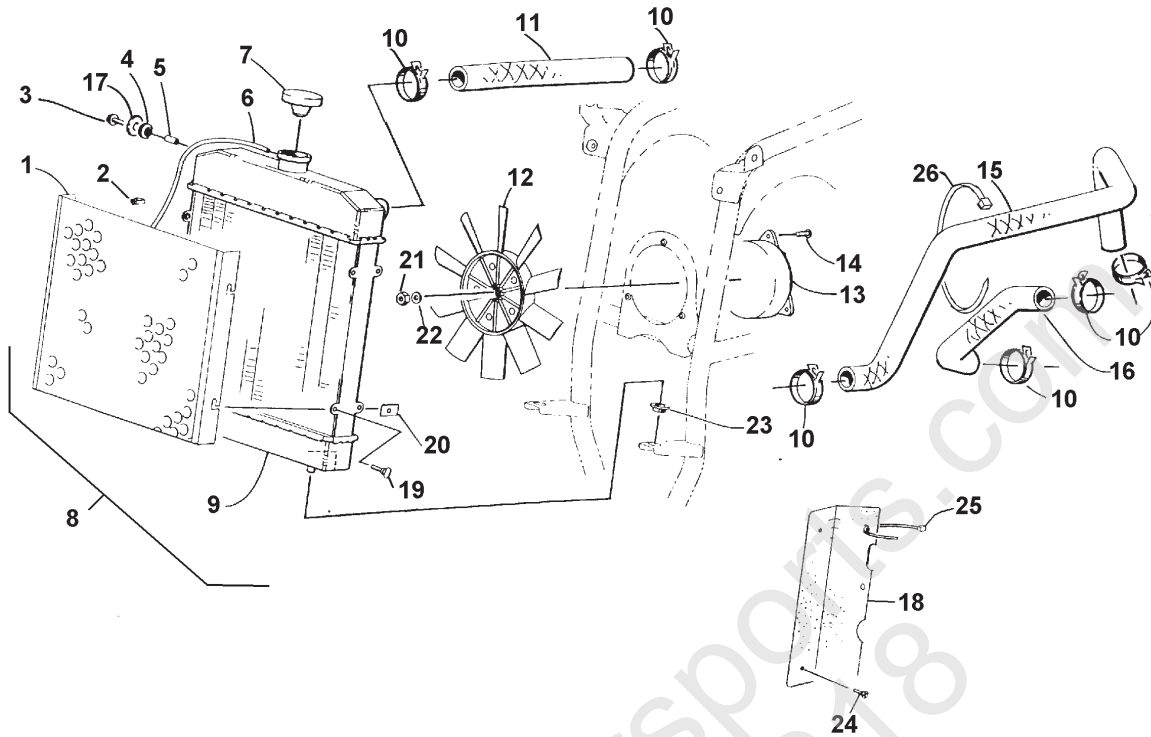


ENGINE AND EXHAUST

0735-527

Ref.	Part No.	Qty.	Description	Ref.	Part No.	Qty.	Description
1	0512-021	1	Pipe, Exhaust	15	0412-049	1	Muffler
2	8408-820	2	Screw, Cap	16	0423-106	3	Screw, Machine
3	3423-009	2	Bolt	17	0406-487	1	Cover, Exhaust
4	0423-050	3	Washer	18	0423-079	2	Clamp, Hose
5	0423-042	1	Spacer	19	0406-298	1	Plate, Heat - Muffler
6	0462-013	1	Engine	20	8053-211	2	Washer, Lock - External Tooth
7	8428-002	3	Nut, Lock	21	0412-054	1	Shield, Heat
8	0412-007	1	Seal, Exhaust		0412-055	1	Shield, Heat
9	8424-802	4	Nut, Flange	22	8477-610	2	Screw, Machine
10	8408-860	1	Screw, Cap	23	0423-030	1	Grommet
11	8408-816	4	Screw, Cap	24	0423-036	1	Collar
12	0506-374	1	Bracket, Engine - Upper	25	8476-620	1	Screw, Machine
13	0423-150	1	Clamp, Exhaust	26	3423-391	1	Bolt
14	0412-033	6	Bushing, Exhaust	27	0406-555	1	Pad, Foam

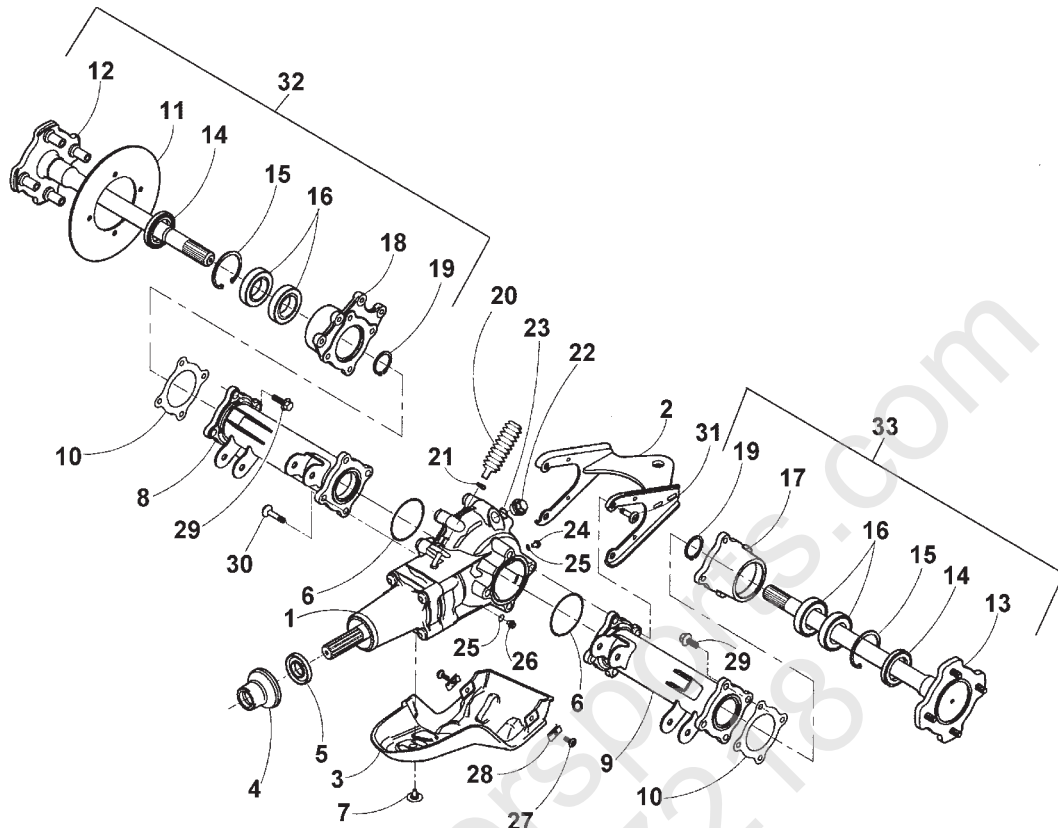
2000 ATV 500 AUTOMATIC



COOLING ASSEMBLY

0735-528

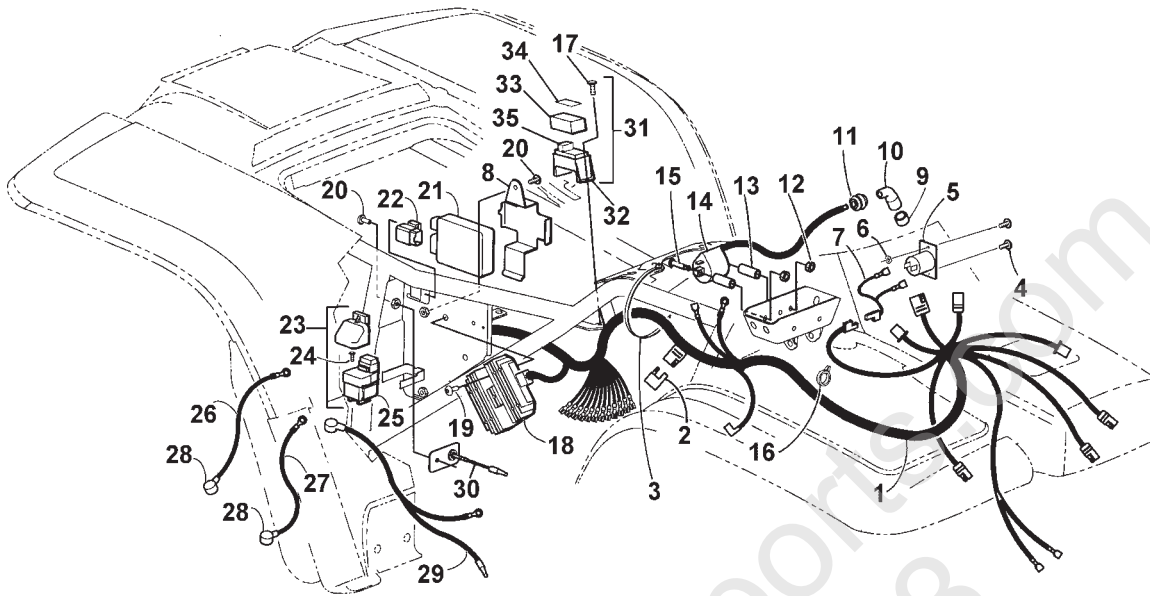
Ref. Part No.	Qty.	Description	Ref. Part No.	Qty.	Description		
1	0413-007	1	Screen, Radiator	14	8474-516	3	Screw, Machine
2	3002-964	2	Clamp, Wire	15	0410-021	1	Hose, Coolant - Lower
3	8476-620	2	Screw, Cap	16	0410-022	1	Hose, Coolant - Crossover
4	0423-030	2	Grommet	17	0623-184	2	Washer
5	0423-036	2	Collar	18	0406-543	2	Shroud, Fan
6	0610-016	AR	Hose, Vent - 25 ft	19	0413-009	4	Screw, Thumb
7	0413-002	1	Cap, Radiator	20	0423-031	4	Nut, Speed
8	0413-014	1	Radiator Assembly (inc. 1, 4, 7, 9, and 19)	21	0423-056	1	Nut - Left
9	*	1	• Radiator	22	8050-252	1	Washer
10	0423-070	6	Clamp, Hose	23	0423-028	2	Bushing, Stem
11	0410-002	1	Hose, Coolant - Upper	24	8477-616	4	Screw, Machine
12	0413-006	1	Blade, Fan	25	0123-788	AR	Cable Tie - 7 in.
13	0413-004	1	Motor, Fan	26	0623-751	1	Cable Tie - Re-Useable



REAR AXLE ASSEMBLY

0735-675

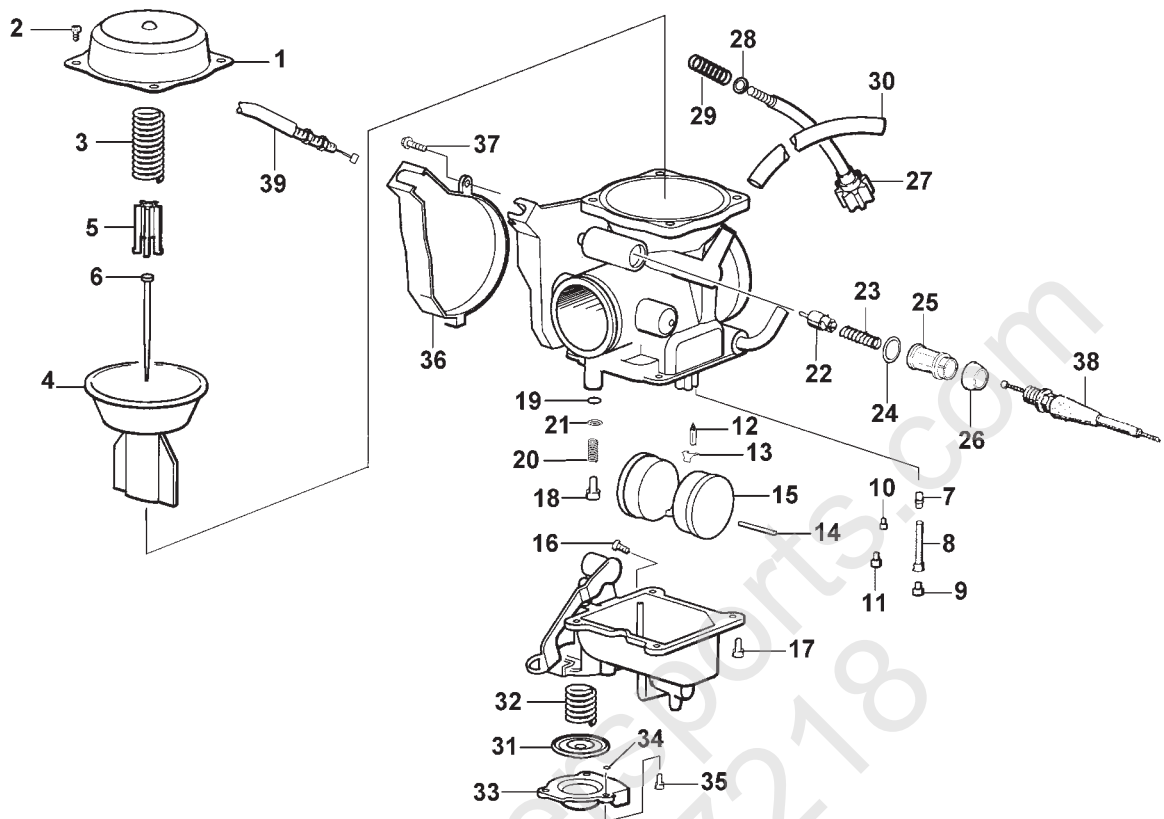
Ref.	Part No.	Qty.	Description	Ref.	Part No.	Qty.	Description
1	0502-108	1	Gear Case Assembly	18	0502-138	1	Housing, Bearing - Right
2	0506-300	1	Hitch, Trailer	19	0402-351	2	Ring, Retaining
3	0406-415	1	Panel, Gear Case - Right	20	0402-147	1	Bladder, Rear Drive Case
4	0402-352	1	Slinger, Rear Drive - Right	21	0423-155	1	Clamp, Double Wire
5	0402-323	1	Seal, Rear Drive Slinger	22	0402-333	1	Plug, Fill
6	0423-119	2	O-Ring	23	0423-154	1	O-Ring, Fill Plug
7	0423-101	1	Screw, Body	24	0402-334	1	Plug, Drain
8	0502-090	1	Housing, Axle - Right	25	0423-153	2	O-Ring, Drain Plug
9	0502-091	1	Housing, Axle - Left	26	0402-450	1	Plug, Drain - Magnetic
10	0402-374	2	Gasket, Axle Housing	27	8477-616	2	Screw, Machine
11	0402-009	1	Disc, Brake	28	0423-031	2	Nut, Speed
12	0502-112	1	Axle Assembly - Right	29	8409-025	8	Screw, Cap
13	0502-113	1	Axle Assembly - Left	30	0423-117	4	Screw, Self-Tapping
14	0402-348	2	Seal	31	0423-116	4	Screw, Self-Tapping
15	0402-347	2	Ring, Retaining	32	0502-140	1	Retainer, Axle - Assembly - Right (inc. 11-12, 14-16, and 18-19)
16	0402-339	4	Bearing	33	0502-107	1	Retainer, Axle - Assembly - Left (inc. 13-17 and 19)
17	0502-097	1	Housing, Bearing - Left				



WIRING HARNESS ASSEMBLY

0735-529

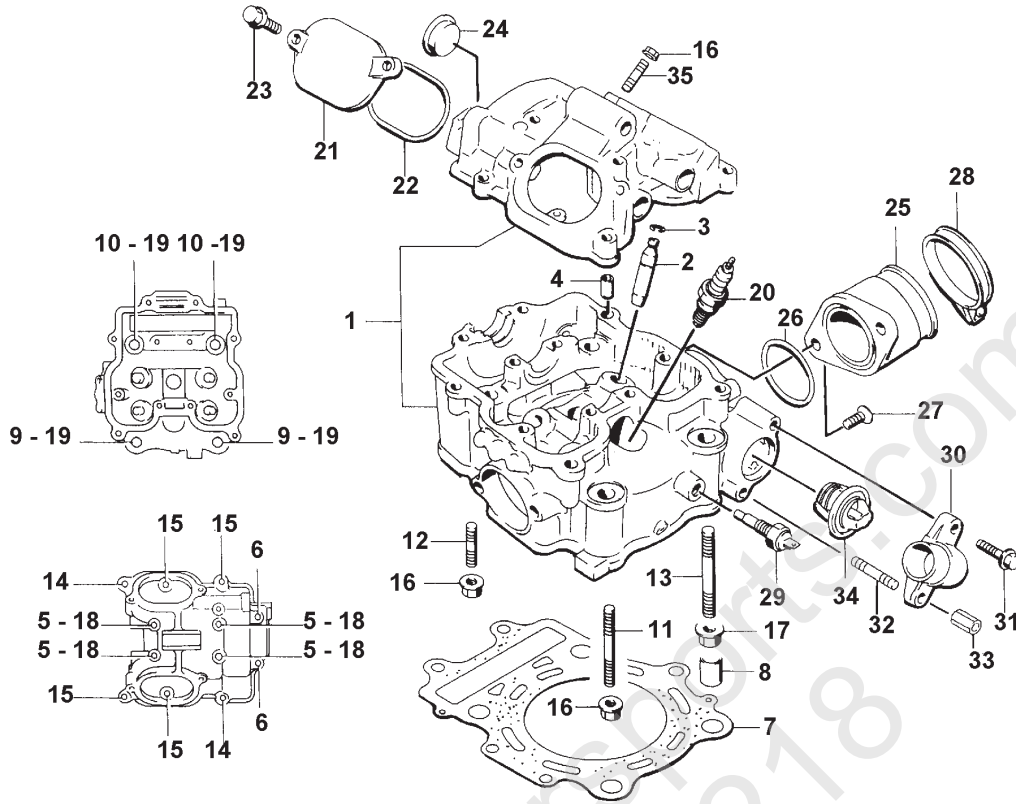
Ref.	Part No.	Qty.	Description	Ref.	Part No.	Qty.	Description
1	0486-051	1	Harness, Main	19	8476-625	2	Screw, Machine
2	0486-029	1	Diode (Start in Gear)	20	8476-616	2	Screw, Machine
3	0123-788	AR	Cable Tie - 7 in.	21	3530-032	1	CDI Unit
4	8060-428	2	Rivet	22	3530-008	1	Relay, Neutral Start - Assembly
5	0445-001	1	Receptacle, 12V	23	3530-001	1	Relay, Starter Motor - Assembly (inc. 25)
6	0123-149	2	Washer	24	3423-020	2	Screw, Cap
7	0486-004	1	Harness, 12V Receptacle	25	0630-098	1	Fuse, 30 Amp
8	0406-535	1	Bracket, CDI Unit	26	0445-019	1	Cable, Battery/Electric Start Relay
9	3430-008	1	Seal, Spark Plug	27	0445-021	1	Cable, Battery/Electric Start
10	3430-007	1	Cap, Spark Plug	28	0645-019	2	Boot, Terminal
11	3430-009	1	Seal, High Tension Cord	29	0445-020	1	Cable, Battery/Ground
12	8424-602	2	Nut	30	0586-003	1	Diode Assembly
13	0107-630	2	Spacer	31	0530-001	1	Block, Fuse - Assembly (inc. 32-35)
14	3530-027	1	Coil, Ignition - Assembly	32	*	1	• Block, Fuse
15	8476-640	2	Screw, Cap	33	*	1	• Cover, Fuse Block
16	0423-075	1	Tie, Cable - Push Mount	34	0411-271	1	• Decal, Fuse Block
17	0423-068	2	Screw, Machine	35	0630-057	4	• Fuse - 10 Amp
18	3530-028	1	Regulator, Voltage		0630-058	2	• Fuse - 15 Amp



CARBURETOR
(Complete Assembly p/n 0470-390)

0735-530 *Not a Service Part **Optional

Ref.	Part No.	Qty.	Description	Ref.	Part No.	Qty.	Description
1	<u>5507-001</u>	1	Cover, Top	18	<u>5507-040</u>	1	Screw, Pilot Air - Set (inc. 19-21)
2	<u>5507-002</u>	4	Screw, Top Cover	19	*	1	● O-Ring
3	<u>5507-003</u>	1	Spring	20	*	1	● Spring
4	<u>5507-004</u>	1	Piston, Vacuum	21	*	1	● Washer
5	<u>5507-005</u>	1	Spring, Seat	22	<u>5507-022</u>	1	Valve, Starter
6	<u>5507-006</u>	1	Jet Needle	23	<u>5507-023</u>	1	Spring
7	<u>5507-007</u>	1	Needle Jet	24	<u>5507-024</u>	1	O-Ring
8	<u>5507-047</u>	1	Holder, Needle Jet	25	<u>5507-025</u>	1	Cap
9	<u>5507-009</u>	1	Main Jet - 150	26	<u>5507-026</u>	1	Cap, Rubber
	<u>5507-041</u>	1	Main Jet - 147**	27	<u>5507-027</u>	1	Screw, Stop
	<u>5507-042</u>	1	Main Jet - 145**	28	<u>5507-028</u>	1	Washer
	<u>5507-043</u>	1	Main Jet - 142**	29	<u>5507-029</u>	1	Spring
	<u>5507-044</u>	1	Main Jet - 140**	30	<u>5507-030</u>	1	Tube, Vinyl
10	<u>5507-010</u>	1	Slow Jet	31	<u>5507-031</u>	1	Diaphragm Assembly
11	<u>5507-011</u>	1	Starter Jet - 102	32	<u>5507-032</u>	1	Spring
12	<u>5507-038</u>	1	Valve, Float - Set (inc. 13)	33	*	1	Housing, Pump
13	*	1	● Clip	34	<u>5507-034</u>	1	U-Ring
14	*	1	Pin, Float	35	<u>5507-035</u>	3	Screw
15	<u>5507-039</u>	1	Float Set (inc. 14)	36	<u>5507-036</u>	1	Cover
16	<u>5507-016</u>	1	Plug, Drain	37	<u>5507-037</u>	1	Screw
17	<u>5507-017</u>	4	Screw	38	<u>0487-016</u>	1	Cable, Choke
				39	<u>0487-021</u>	1	Cable, Throttle

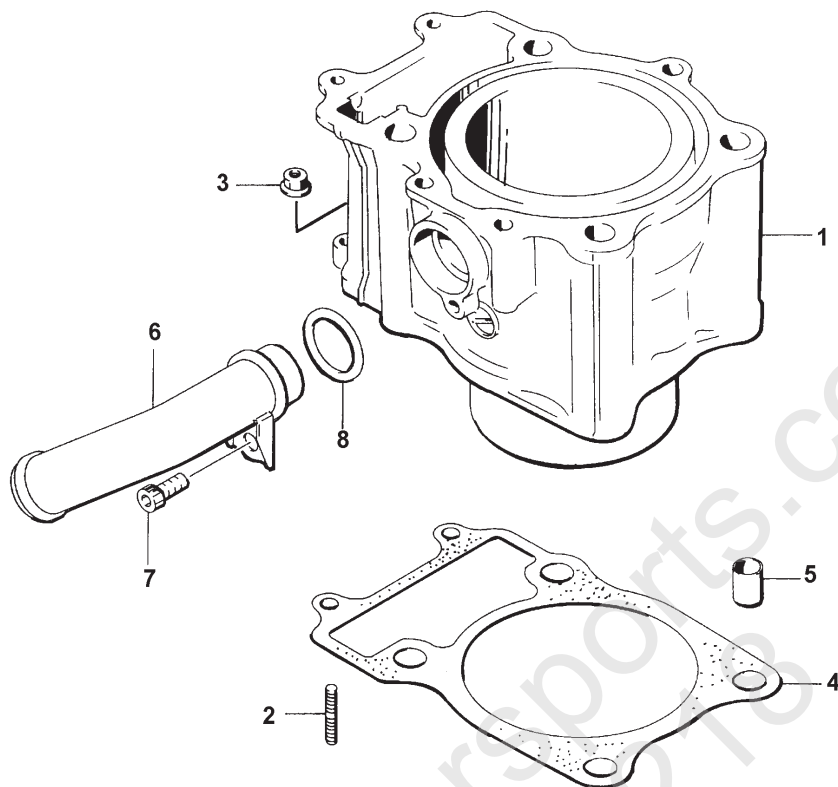


CYLINDER HEAD ASSEMBLY

(Complete Gasket Set p/n 3402-546)

0735-607 *Not Illustrated

Ref.	Part No.	Qty.	Description	Ref.	Part No.	Qty.	Description
1	3402-361	1	Head, Cylinder - Assembly (inc. 2-6)	20	0217-632	1	Spark Plug (NGK CR6E)
2	3402-099	4	● Guide, Valve	21	3402-100	2	Cap, Inspection
3	3423-068	4	● Circlip	22	3402-101	2	O-Ring
4	3423-043	2	● Pin, Dowel	23	3004-341	3	Screw, Cap
5	3423-006	4	● Screw, Cap	24	3402-035	1	Plug, Cylinder Head
6	3008-376	2	● Screw, Cap	25	3402-435	1	Pipe, Intake - Assembly
7	3402-362	1	Gasket, Cylinder Head		3402-358	1	Pipe, Intake - Assembly
8	3423-088	2	Pin, Dowel	26	3423-353	1	O-Ring
9	3423-015	2	Screw, Cap	27	3423-347	2	Screw, Cap
10	3423-016	2	Screw, Cap	28	3402-086	1	Clamp
11	3423-089	2	Bolt, Stud	29	3530-030	1	Switch, Water Temperature - Assembly
12	3423-087	2	Bolt, Stud	30	3413-004	1	Cover, Thermostat
13	3423-203	1	Bolt, Stud	31	3004-341	1	Screw, Cap
14	3423-007	2	Screw, Cap	32	3423-354	1	Stud, Thermostat Cover
15	3004-376	4	Screw, Cap	33	3423-349	1	Nut
16	3004-488	5	Nut	34	3413-012	1	Thermostat
17	3004-326	1	Nut	35	3423-383	1	Bolt, Stud
18	3003-290	4	Gasket	36	3402-048	1	Plug, Frost*
19	3402-010	4	Gasket, Head Nut				

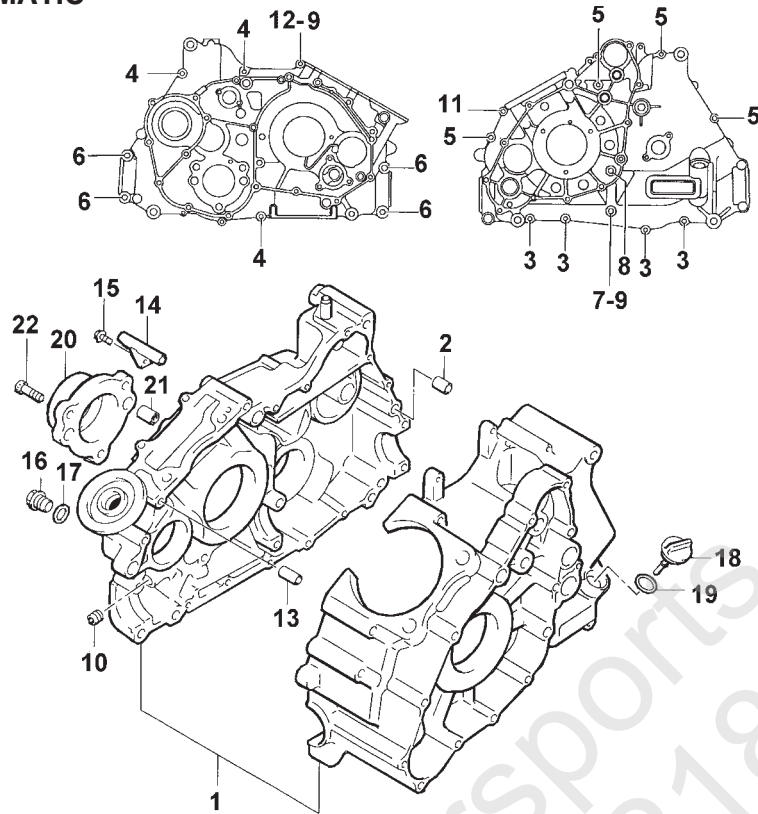


CYLINDER ASSEMBLY

0735-608

Ref.	Part No.	Qty.	Description	Ref.	Part No.	Qty.	Description
1	3402-364	1	Cylinder	5	3423-088	2	Pin, Dowel
2	3423-384	2	Bolt, Stud	6	3413-013	1	Union, Water Hose
3	3004-488	2	Nut	7	3423-121	1	Screw, Cap
4	3402-365	1	Gasket, Cylinder	8	3423-058	1	O-Ring

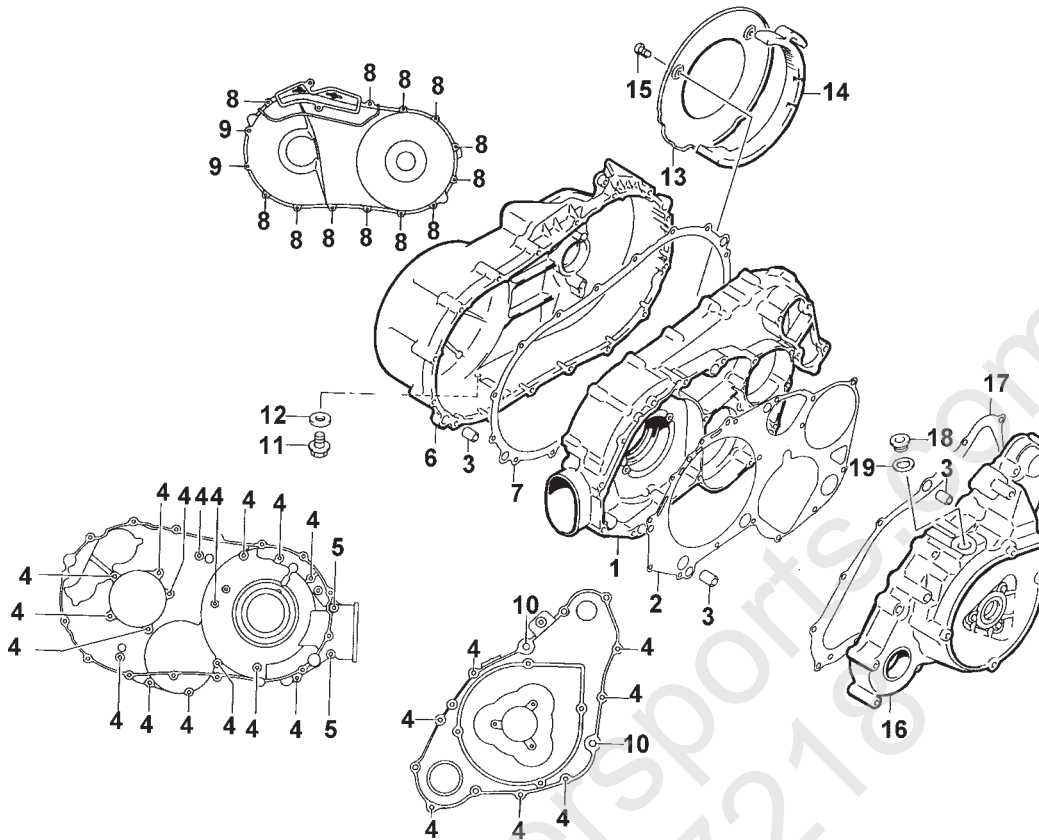
2000 ATV 500 AUTOMATIC



CRANKCASE ASSEMBLY

0735-609

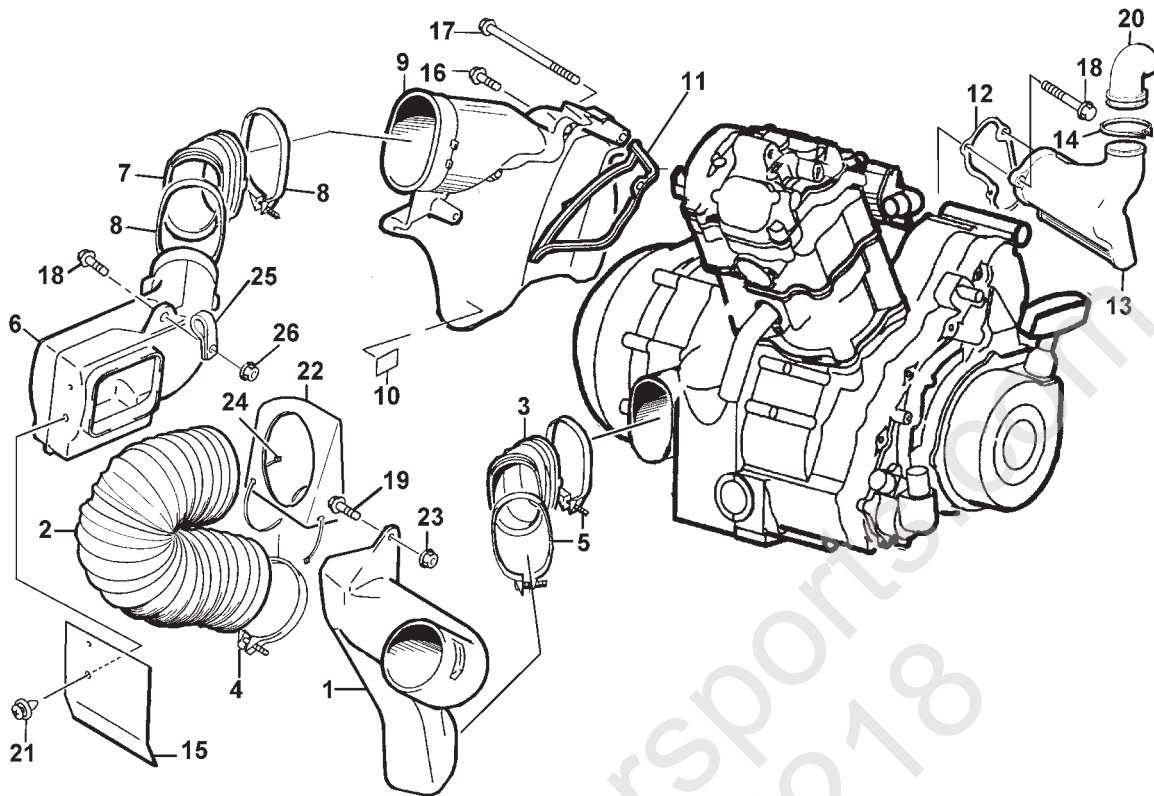
Ref.	Part No.	Qty.	Description	Ref.	Part No.	Qty.	Description
1	<u>3402-520</u>	1	Crankcase Assembly (inc. 2-12 and 24)	12	<u>3423-388</u>	1	• Bolt
2	<u>3423-088</u>	2	• Pin, Dowel	13	<u>3004-822</u>	1	Pin, Dowel
3	<u>3423-091</u>	4	• Bolt	14	<u>3402-437</u>	1	Pipe, Breather
4	<u>3423-119</u>	3	• Bolt	15	<u>3423-389</u>	1	Bolt, Breather Pipe
5	<u>3423-092</u>	4	• Bolt	16	<u>3402-214</u>	1	Plug, Oil Pressure
6	<u>3004-880</u>	4	• Bolt	17	<u>3402-012</u>	1	Gasket, Oil Pressure Plug
7	<u>3005-332</u>	1	• Bolt	18	<u>3402-438</u>	1	Stick, Oil Level
8	<u>3423-385</u>	1	• Bolt	19	<u>3423-055</u>	1	O-Ring, Oil Level Stick
9	<u>3402-436</u>	2	• Gasket	20	<u>3402-439</u>	1	Housing, Secondary Shaft Bearing
10	<u>3423-386</u>	1	• Plug	21	<u>3423-088</u>	2	Pin, Dowel
11	<u>3423-387</u>	1	• Bolt	22	<u>3423-506</u>	3	Bolt



CRANKCASE COVER ASSEMBLY

0735-610

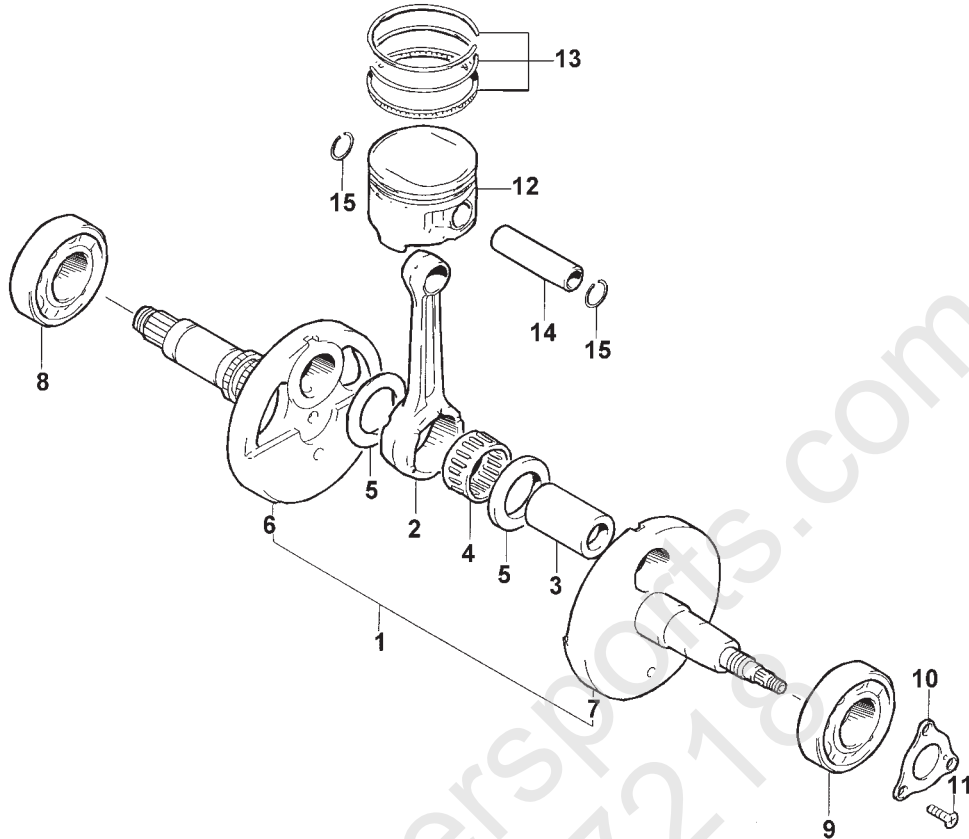
Ref.	Part No.	Qty.	Description	Ref.	Part No.	Qty.	Description
1	3402-440	1	Cover, Clutch	10	3423-307	2	Bolt
2	3402-441	1	Gasket, Clutch Cover	11	3004-705	1	Plug, Drain
3	3423-088	6	Pin, Dowel	12	3402-444	1	Gasket, Drain Plug
4	3423-098	23	Bolt	13	3402-445	1	Plate, Air Intake
5	3423-092	2	Bolt	14	3402-446	1	Cushion, Air Intake Plate
6	3402-442	1	Cover, V-Belt	15	3004-552	3	Screw
7	3402-443	1	Gasket, V-Belt Cover	16	3423-394	1	Cover, Magneto
8	3423-091	12	Bolt	17	3423-395	1	Gasket, Magneto Cover
9	3423-392	2	Bolt	18	3423-180	1	Plug, Oil Filler
				19	3402-013	1	Gasket, Oil Filler Plug



CASE/BELT COOLING ASSEMBLY

0735-526

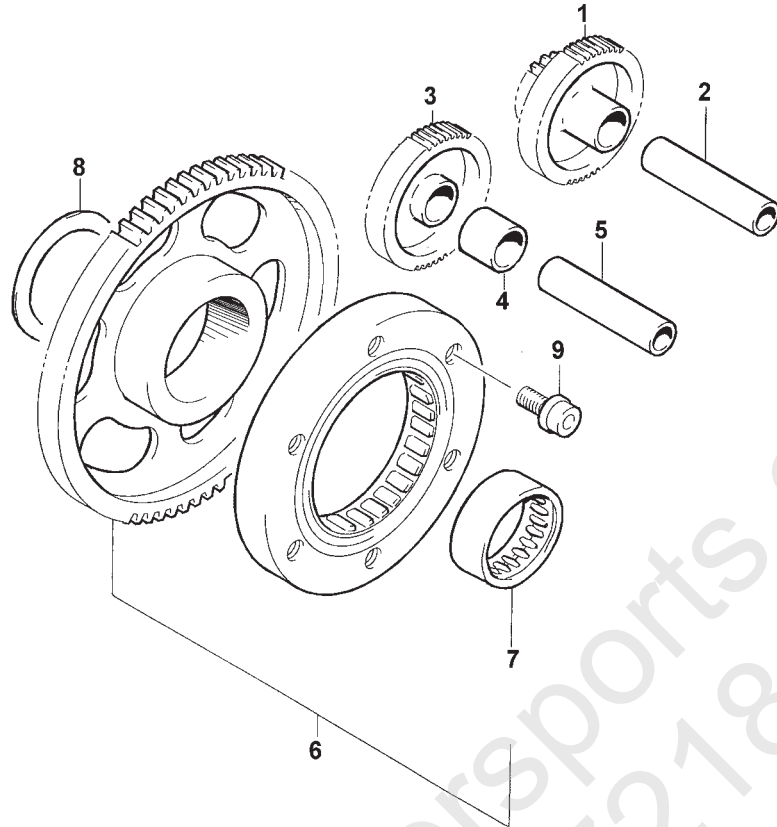
Ref. Part No.	Qty.	Description	Ref. Part No.	Qty.	Description
1	3402-447	1 Duct, Belt Cooling - Front	14	3402-455	1 Clamp, Clutch Plenum
2	0410-033	1 Duct, Belt Cooling - Front	15	0506-402	1 Guard, Duct
3	3402-448	1 Tube, Clutch Cooling	16	3004-341	2 Bolt, Duct Connector - Center
4	0423-018	1 Clamp, Duct - Front	17	3423-393	2 Bolt, Duct Connector - Center
5	3402-449	4 Clamp, Duct - Front	18	8476-625	5 Screw, Machine
6	3402-450	1 Duct, Belt Cooling - Center	19	8408-820	1 Screw, Cap
7	3402-451	1 Connector, Cooling Duct - Center	20	0410-032	1 Boot, Clutch Plenum
8	3402-448	2 Clamp, Duct - Center	21	3423-423	2 Clip, Retaining - Duct Guard
9	3402-452	1 Connector, Duct - Center	22	0406-560	1 Retainer, Cooling Hose
10	3402-453	2 Cushion, Duct Connector - Center	23	8424-802	1 Nut, Flange
11	3402-454	1 Gasket, Duct Connector - Center	24	0123-788	AR Cable Tie - 7 in.
12	0410-034	1 Gasket, Duct Connector - Rear	25	0423-167	1 Clamp, Brakeline
13	0510-591	1 Plenum, Clutch	26	8424-602	1 Nut, Flange



CRANKSHAFT ASSEMBLY

0735-611

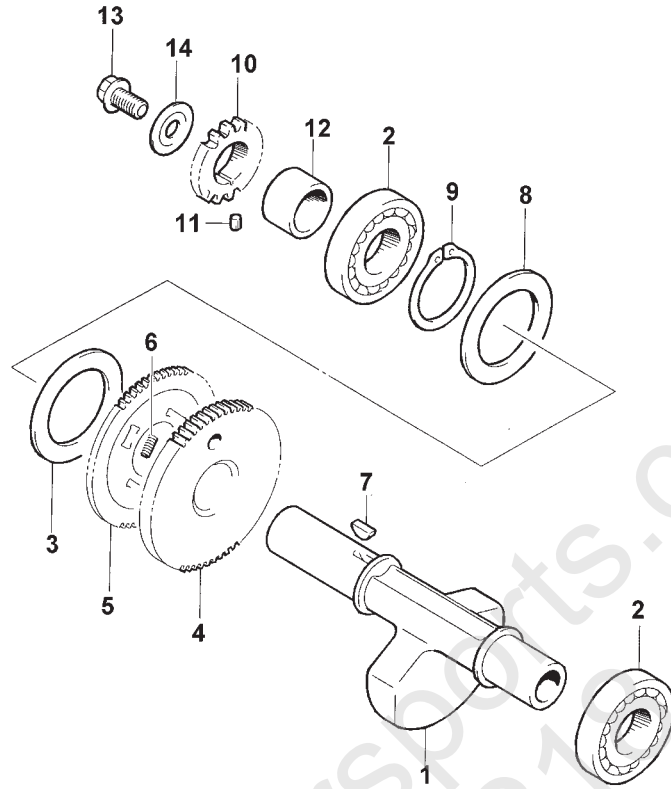
Ref.	Part No.	Qty.	Description	Ref.	Part No.	Qty.	Description
1	3402-521	1	Crankshaft Assembly (inc. 2-9)	8	3402-058	1	Bearing - Right
2	3402-376	1	• Rod, Connecting	9	3402-054	1	Bearing - Left
3	3402-377	1	• Pin, Crank	10	3402-188	1	Retainer, Oil Seal - Left
4	3402-386	1	• Bearing	11	3423-018	3	Screw
5	3423-351	2	• Washer	12	3402-373	1	Piston
6	3402-522	1	• Crankshaft - Right (inc. 8-9)	13	3402-374	1	Ring, Piston - Set
7	3402-456	1	• Crankshaft - Left	14	3402-375	1	Pin, Piston
				15	3423-344	2	Circlip, Piston Pin



STARTER CLUTCH ASSEMBLY

0735-612

Ref.	Part No.	Qty.	Description	Ref.	Part No.	Qty.	Description
1	3402-523	1	Gear, Starter Idler - No. 1	5	3423-397	1	Pin
2	3423-331	1	Pin	6	3402-457	1	Clutch, Starter - Set (inc. 7)
3	3402-349	1	Gear, Starter Idler - No. 2	7	3402-063	1	• Bearing
4	3423-396	1	Spacer, Starter Idler Gear No. 2	8	3423-104	1	Washer
				9	3423-102	6	Bolt

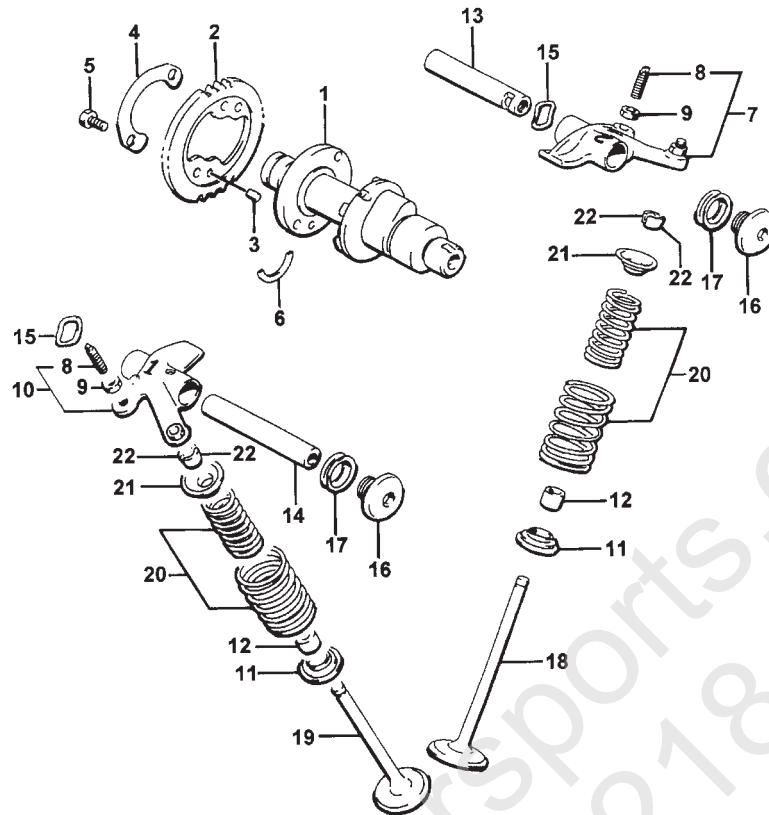


CRANK BALANCER ASSEMBLY

0735-613

Ref.	Part No.	Qty.	Description	Ref.	Part No.	Qty.	Description
1	3402-458	1	Balancer, Crank	8	3423-107	1	Washer
2	3402-050	2	Bearing	9	3423-200	1	Circlip
3	3423-398	1	Washer	10	3402-390	1	Gear, Oil Pump Drive
4	3402-459	1	Gear, Driven - No. 1	11	3423-110	1	Pin, Drive Gear
5	3402-460	1	Gear, Driven - No. 2	12	3402-461	1	Spacer, Drive Gear
6	3423-399	2	Spring, Driven Gear	13	3423-400	1	Bolt, Drive Gear
7	3004-540	1	Key	14	3423-401	1	Washer, Drive Gear

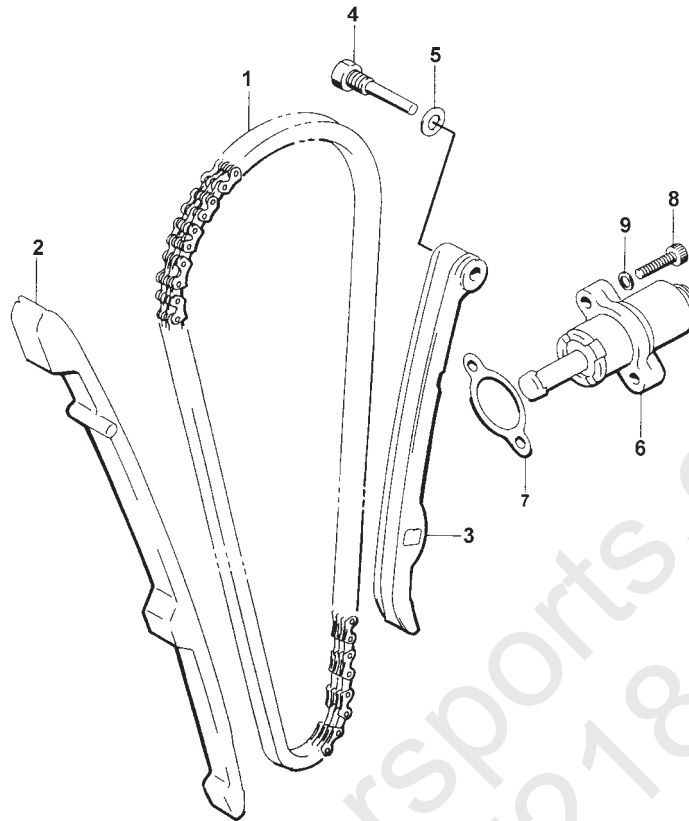
2000 ATV 500 AUTOMATIC



CAMSHAFT/VALVE ASSEMBLY

0732-307

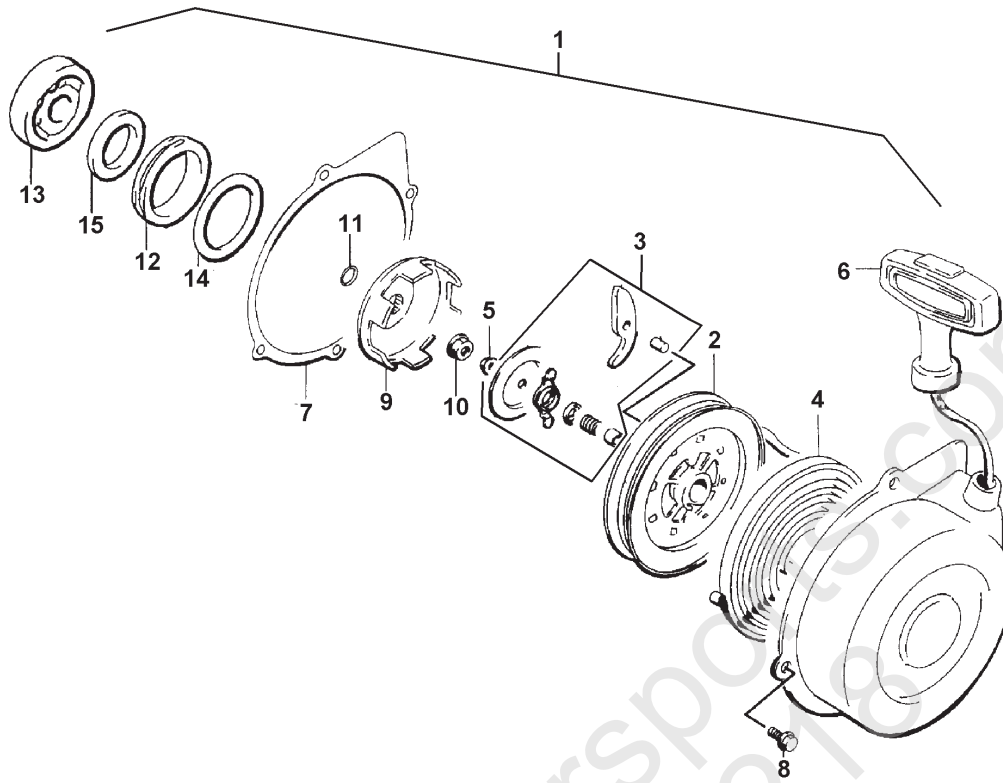
Ref.	Part No.	Qty.	Description	Ref.	Part No.	Qty.	Description
1	3402-027	1	Camshaft	12	3402-078	4	Seal, Oil
2	3402-352	1	Sprocket	13	3402-140	1	Shaft, Rocker Arm
3	3423-047	1	Pin	14	3402-141	1	Shaft, Rocker Arm
4	3423-073	1	Washer	15	3423-031	2	Washer
5	3423-013	2	Bolt	16	3402-040	2	Plug, Shaft
6	3423-071	1	C-Ring	17	3402-012	2	Gasket
7	3402-138	1	Arm, Valve Rocker (inc. 8-9)	18	3402-142	2	Valve, Intake
8	3423-075	4	• Screw	19	3402-143	2	Valve, Exhaust
9	3423-076	4	• Nut	20	3402-144	4	Spring, Valve - Set
10	3402-139	1	Arm, Valve Rocker (inc. 8-9)	21	3402-146	4	Retainer, Spring
11	3402-148	4	Seat, Spring	22	3402-147	8	Cotter, Valve



CAM CHAIN ASSEMBLY

0732-308

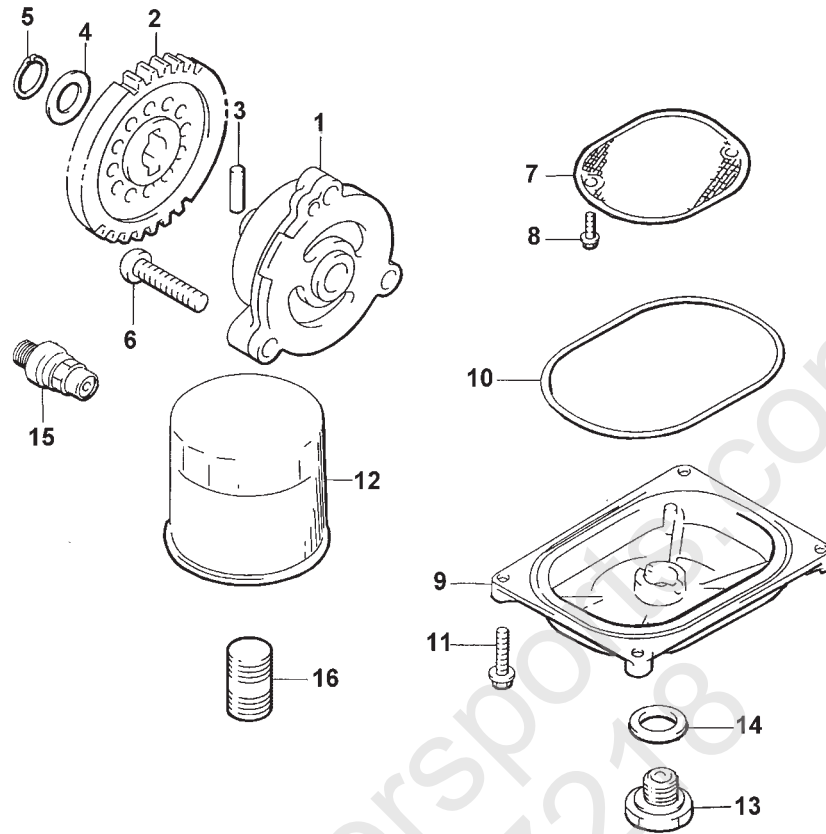
Ref.	Part No.	Qty.	Description	Ref.	Part No.	Qty.	Description
1	3402-353	1	Chain, Cam	5	3003-188	1	Washer
2	3402-355	1	Guide, Chain	6	3402-136	1	Adjuster, Tensioner - Assembly
3	3402-356	1	Tensioner, Chain	7	3402-137	1	Gasket
4	3423-074	1	Bolt	8	3004-475	2	Bolt
				9	3003-290	2	Gasket



RECOIL STARTER ASSEMBLY

0735-614

Ref. Part No.	Qty.	Description	Ref. Part No.	Qty.	Description		
1	3445-003	1	Starter, Recoil - Assembly (inc. 2-6)	8	3423-112	4	Screw, Cap
2	3445-004	1	• Reel	9	3445-027	1	Cup, Starter
3	3445-016	1	• Ratchet Assembly	10	3004-491	1	Nut
4	3445-007	1	• Spring, Spiral	11	3423-053	1	O-Ring
5	3004-488	1	• Nut	12	3402-119	1	Spacer
6	3445-011	1	• Rope Assembly	13	3402-051	1	Bearing
7	3445-013	1	Gasket	14	3423-063	1	O-Ring
				15	3402-070	1	Seal, Oil

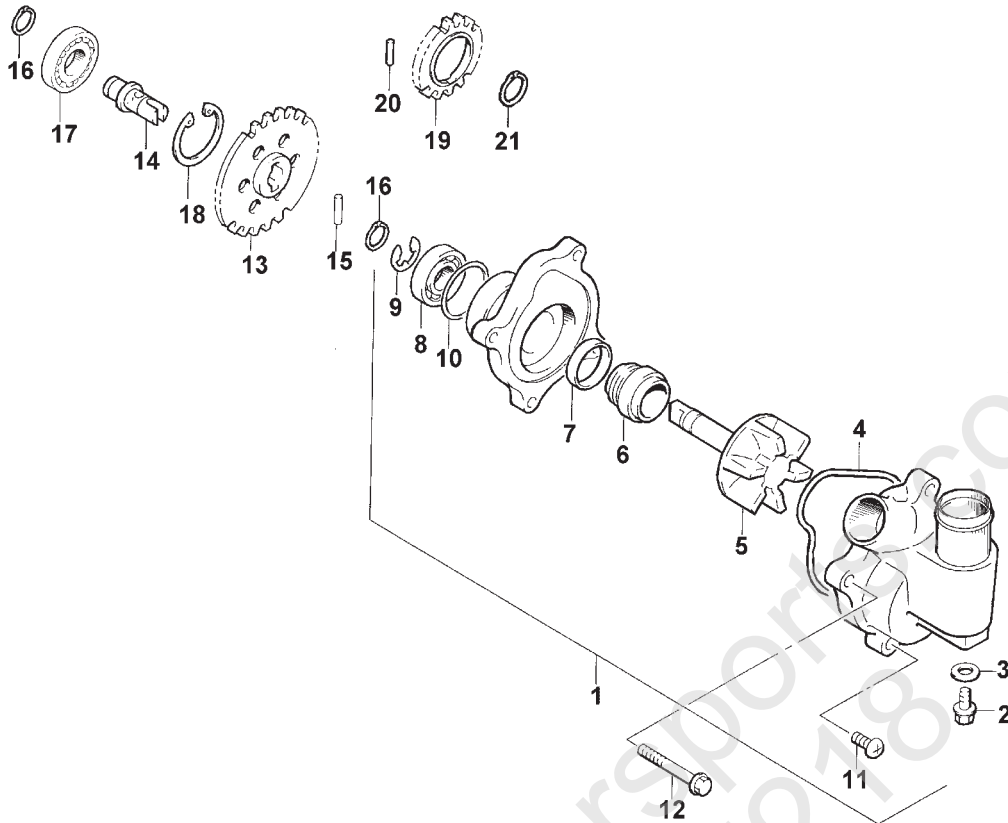


OIL FILTER/PUMP ASSEMBLY

0735-615

Ref.	Part No.	Qty.	Description	Ref.	Part No.	Qty.	Description
1	3402-462	1	Pump, Oil	9	3402-157	1	Cap, Oil Strainer
2	3402-463	1	Gear, Driven	10	3423-077	1	O-Ring
3	3423-046	1	Pin	11	3004-756	4	Screw, Cap
4	3423-115	1	Washer	12	0436-146	1	Filter, Oil
5	3423-184	1	Circlip	13	3402-036	1	Plug, Drain
6	3423-113	3	Screw	14	3402-012	1	Gasket, Drain Plug
7	3402-156	1	Strainer, Oil	15	3402-154	1	Valve, Assembly - Oil Relief
8	0693-389	2	Screw	16	3402-158	1	Union, Oil Filter

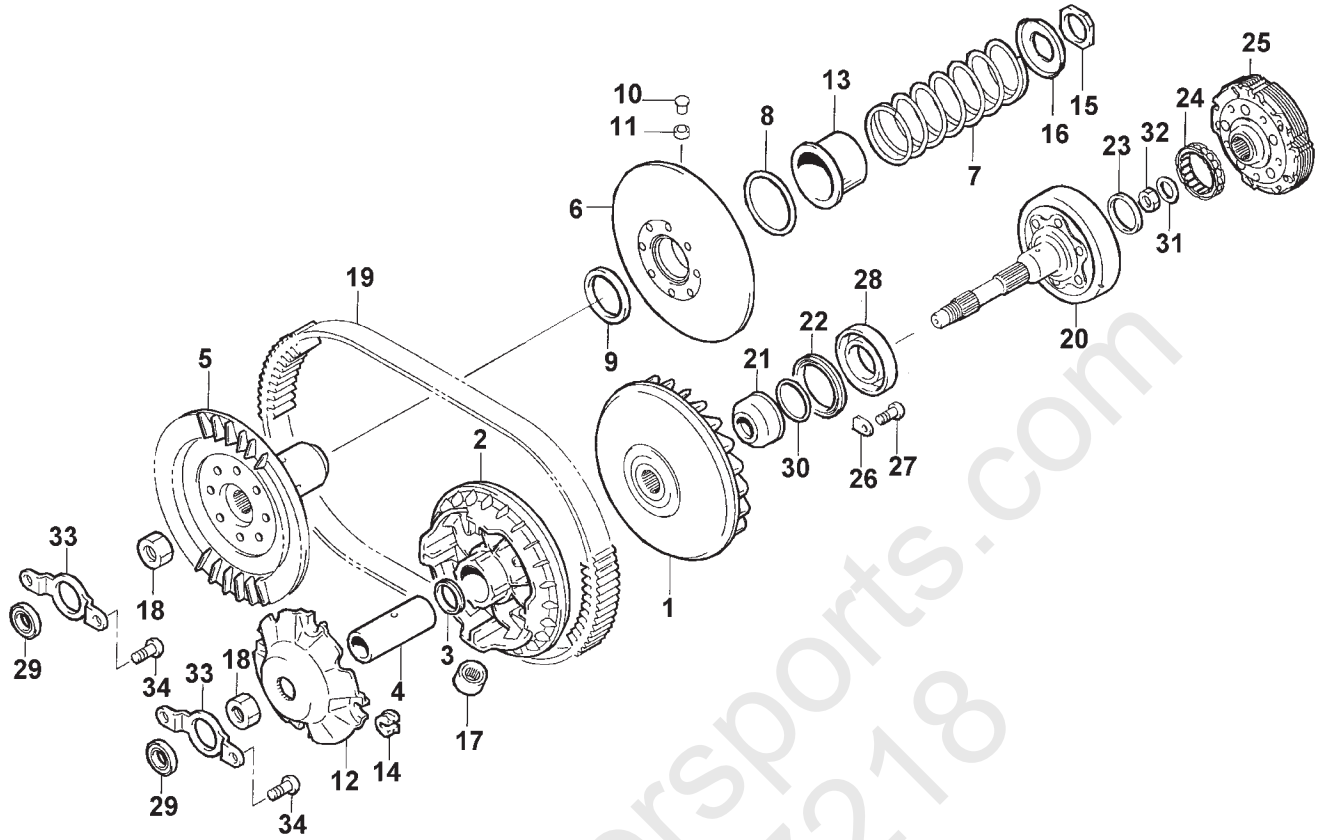
2000 ATV 500 AUTOMATIC



WATER PUMP ASSEMBLY

0735-616

Ref.	Part No.	Qty.	Description	Ref.	Part No.	Qty.	Description
1	3402-464	1	Pump, Water - Assembly (inc. 2-11)	11	3003-484	2	• Screw
2	3423-343	1	• Bolt	12	3423-308	2	Bolt
3	3003-188	1	• Gasket	13	3402-026	1	Gear, Driven
4	3423-402	1	• O-Ring	14	3402-466	1	Shaft, Driven Gear
5	3413-014	1	• Impeller/Shaft	15	3423-046	1	Pin, Driven Gear
6	3402-360	1	• Seal, Mechanical	16	3423-184	2	Circlip, Driven Gear
7	3402-465	1	• Seal, Oil	17	3402-467	1	Bearing, Shaft
8	3003-615	1	• Bearing	18	3423-405	1	Circlip, Shaft Bearing
9	3423-403	1	• E-Ring	19	3402-390	1	Gear, Water Pump Drive
10	3423-404	1	• O-Ring	20	3423-110	1	Pin, Drive Gear
				21	3423-189	1	Circlip, Drive Gear

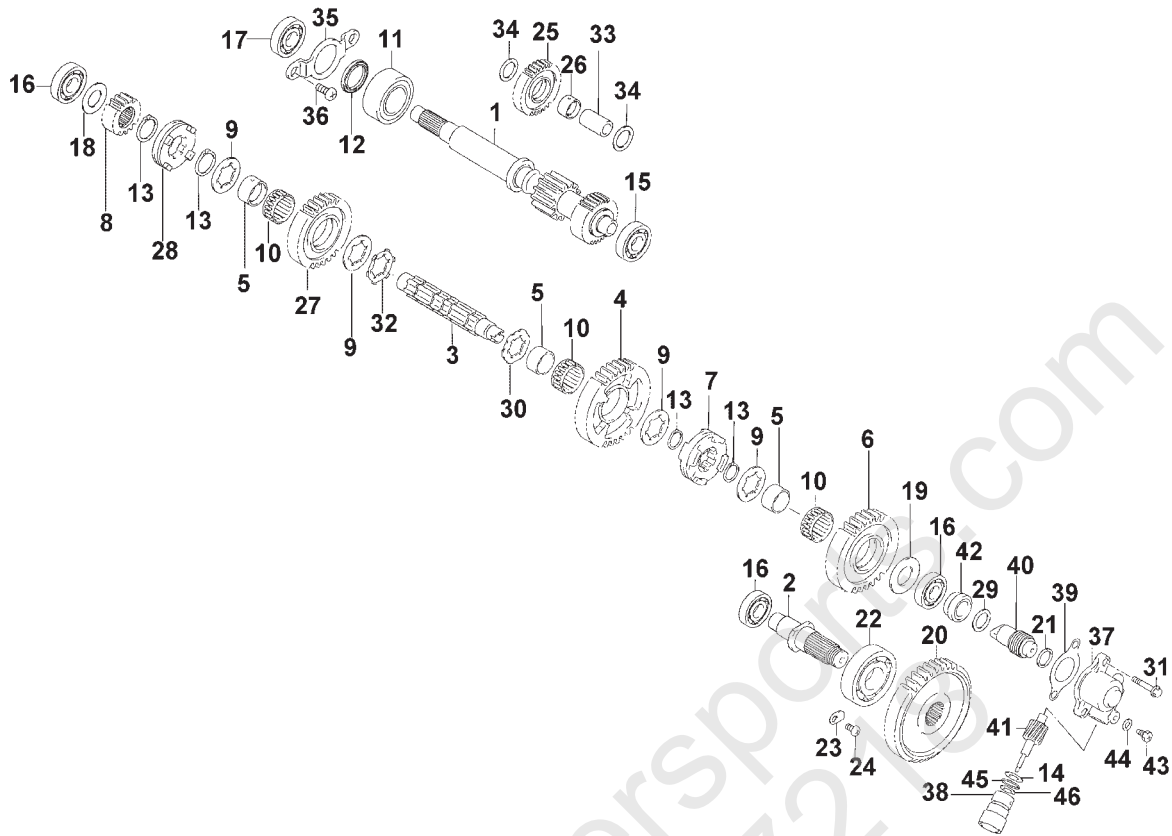


TRANSMISSION ASSEMBLY

0735-617 (Revised)

Ref.	Part No.	Qty.	Description	Ref.	Part No.	Qty.	Description
1	3402-468	1	Face, Fixed Drive	18	3423-407	2	Nut, Face
2	3402-469	1	Face, Movable Drive	19	3402-484	1	V-Belt, Drive
3	3402-470	2	Seal, Movable Drive	20	3402-485	1	Housing, Clutch
4	3402-471	1	Spacer, Movable Drive	21	3402-486	1	Spacer, Fixed Drive - Left
5	3402-472	1	Face, Fixed Drive	22	3402-487	1	Seal, Clutch Housing
6	3402-473	1	Face, Movable Driven	23	3402-488	1	Seal, Clutch Housing
7	3402-474	1	Spring, Movable Driven	24	3446-003	1	Clutch, One Way
8	3402-475	2	O-Ring, Movable Driven	25	3446-263	1	Shoe, Clutch - Assembly
9	3402-476	2	Seal, Movable Driven	26	3446-031	2	Retainer, Bearing
10	3402-477	4	Pin, Movable Driven	27	3004-552	2	Screw, Bearing Retainer
11	3402-478	4	Spacer, Movable Driven	28	3402-489	1	Bearing
12	3402-479	1	Plate, Movable Drive	29	3402-490	2	Bearing (Front and Rear)
13	3402-480	1	Sleeve, Movable Driven	30	3423-353	1	O-Ring
14	3402-481	4	Damper, Movable Drive	31	3423-408	1	Washer
15	3423-406	1	Nut, Driven Pulley	32	3423-409	1	Nut
16	3402-482	1	Holder, Movable Driven	33	3423-410	2	Retainer, Bearing
17	3402-483	8	Roller, Movable Drive	34	3423-018	4	Screw

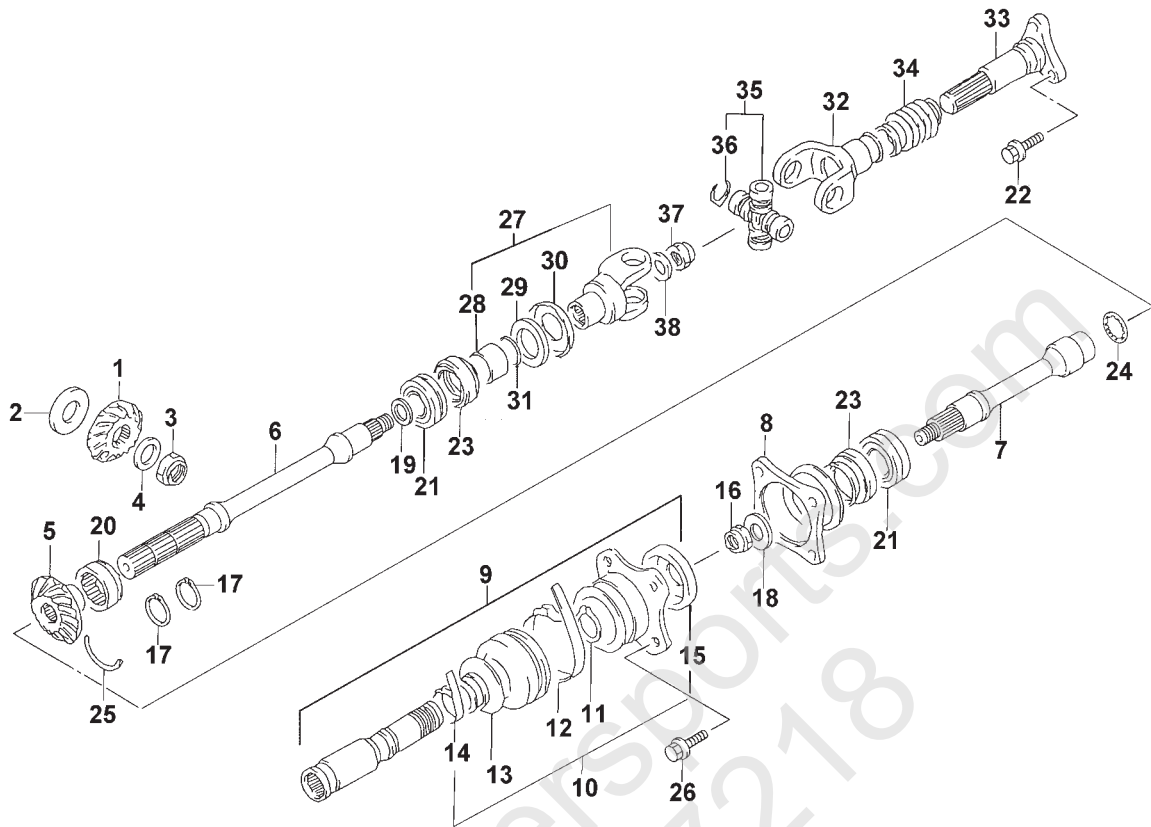
2000 ATV 500 AUTOMATIC



SECONDARY TRANSMISSION ASSEMBLY

0735-618

Ref.	Part No.	Qty.	Description	Ref.	Part No.	Qty.	Description
1	<u>3402-524</u>	1	Driveshaft	24	<u>3004-552</u>	2	Screw, Bearing Retainer
2	<u>3402-491</u>	1	Shaft, Output	25	<u>3402-503</u>	1	Gear, Reverse Idle
3	<u>3402-492</u>	1	Countershaft	26	<u>3402-504</u>	1	Bushing, Reverse Idle Gear
4	<u>3402-493</u>	1	Gear, Driven - Low	27	<u>3402-505</u>	1	Gear, Reverse Driven
5	<u>3402-494</u>	3	Bushing	28	<u>3402-506</u>	1	Dog, Reverse Gear
6	<u>3402-495</u>	1	Gear, Driven - High	29	<u>3423-146</u>	1	Washer, Drive Gear - Right
7	<u>3402-496</u>	1	Dog, Sliding	30	<u>3423-262</u>	1	Washer, Lock
8	<u>3402-497</u>	1	Gear, Drive - No. 2	31	<u>3423-346</u>	2	Bolt, Gear Sleeve
9	<u>3423-263</u>	4	Washer	32	<u>3423-266</u>	1	Washer, Lock
10	<u>3402-498</u>	3	Bearing	33	<u>3402-507</u>	1	Shaft, Reverse Idle
11	<u>3402-499</u>	1	Bearing, Driveshaft	34	<u>3402-195</u>	2	Washer, Reverse Idle Gear
12	<u>3402-500</u>	1	Seal, Driveshaft	35	<u>3423-410</u>	1	Retainer, Driveshaft Bearing
13	<u>3423-066</u>	4	Circlip	36	<u>3423-018</u>	2	Screw, Bearing Retainer
14	<u>3423-144</u>	1	Washer, Driven Gear	37	<u>3446-057</u>	1	Housing, Speedometer Gear
15	<u>3003-261</u>	1	Bearing, Driveshaft - Left	38	<u>3446-058</u>	1	Sleeve
16	<u>3402-045</u>	3	Bearing, Shaft	39	<u>3446-244</u>	1	Gasket
17	<u>3402-490</u>	1	Bearing, Driveshaft	40	<u>3402-508</u>	1	Gear, Drive
18	<u>3423-411</u>	1	Washer, Drive Gear - Right	41	<u>3402-509</u>	1	Gear, Driven
19	<u>3423-412</u>	1	Washer, Drive Gear	42	<u>3446-114</u>	1	Spacer, Driven Gear
20	<u>3402-501</u>	1	Gear, Driven - No. 2	43	<u>3423-143</u>	1	Bolt, Gear
21	<u>3423-145</u>	1	Washer, Drive Gear	44	<u>3402-009</u>	1	Washer, Driven
22	<u>3402-502</u>	1	Bearing, Output Shaft	45	<u>3423-056</u>	1	O-Ring
23	<u>3446-031</u>	2	Retainer, Bearing	46	<u>3402-077</u>	1	Seal, Driven Gear

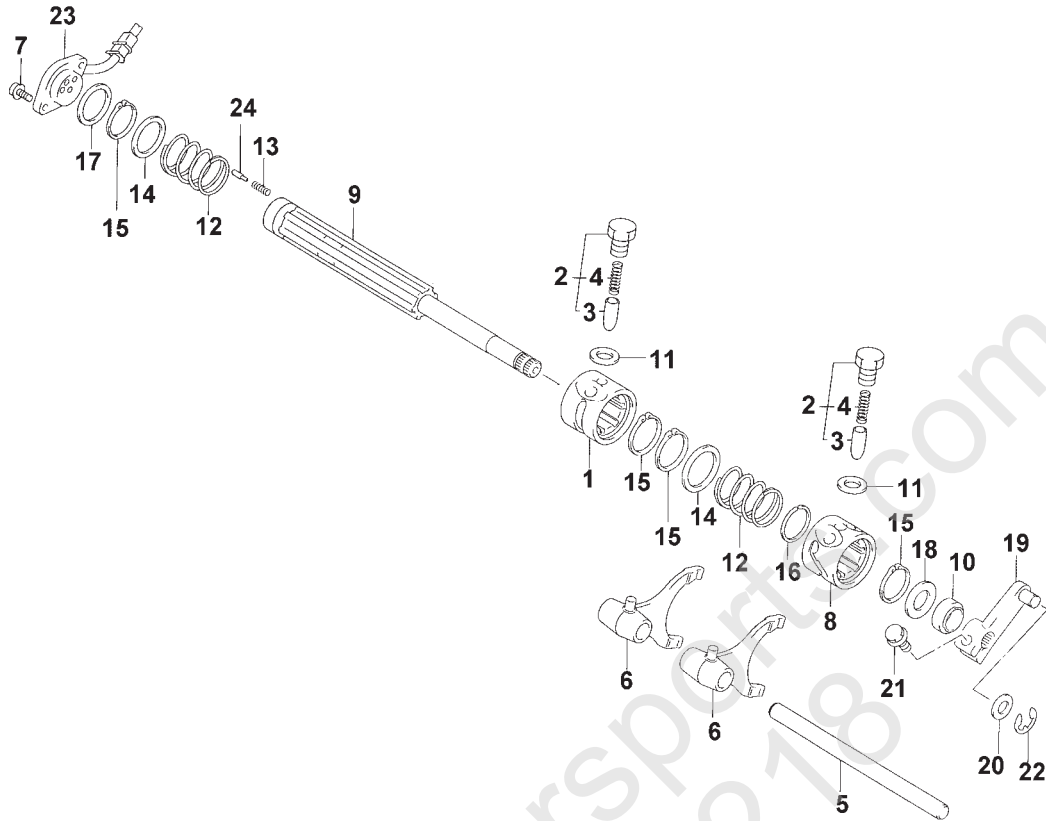


SECONDARY DRIVE ASSEMBLY

0735-619

Ref.	Part No.	Qty.	Description	Ref.	Part No.	Qty.	Description
1	3402-510	1	Gear, Secondary Drive	20	3402-515	1	Bearing, Driven Gear
2	3446-035	1	Shim, Secondary Drive Gear - Set	21	3402-067	2	Bearing, Driven Shaft
3	3423-023	1	Nut	22	8409-020	3	Bolt, Propeller Shaft
4	3005-372	1	Washer	23	3402-072	2	Seal, Oil - Driven Shaft
5	3402-511	1	Gear, Secondary Driven	24	3423-415	1	Washer, Driven Shaft
6	3402-512	1	Shaft, Secondary Driven - Front	25	3423-072	1	Ring, Driven Bearing
7	3402-513	1	Shaft, Secondary Driven - Rear	26	8408-820	4	Bolt, Output Joint - Rear
8	3402-514	1	Flange, Output Joint - Rear	27	3435-090	1	Yoke, Drive Output - Front (inc. 28-31)
9	3435-010	1	Joint, Rear Output - Assembly (inc.10-15)	28	3435-029	1	• Collar, Yoke
10	3435-066	1	• Boot, Joint - Set (inc. 11-15)	29	3435-030	1	• Plate, Yoke Collar
11	3423-210	1	•• Ring, Snap	30	3423-035	1	• Plate, Yoke Collar
12	3423-211	1	•• Band	31	3423-060	1	• O-Ring, Yoke Collar
13	3435-067	1	•• Boot	32	3402-516	1	Yoke, Propeller Shaft Joint
14	3423-212	1	•• Band	33	3402-517	1	Shaft, Propeller
15	3423-356	1	•• Seal, Plate	34	3402-518	1	Boot, Propeller Shaft
16	3423-025	1	Nut, Rear Output Joint	35	3435-011	1	Joint, Universal - Set (inc. 36)
17	3423-340	2	Circlip, Secondary Driven Gear	36	3423-067	4	• Circlip, Universal Joint
18	3423-028	1	Washer, Rear Output Flange	37	3423-025	1	Nut, Yoke - Front
19	3402-017	AR	Shim, 25 x 34 x 0.60 mm	38	3423-028	1	Washer, Yoke - Front
	3402-018	AR	Shim, 25 x 34 x 0.65 mm				
	3402-019	AR	Shim, 25 x 34 x 0.70 mm				
	3402-020	AR	Shim, 25 x 34 x 0.75 mm				
	3402-021	AR	Shim, 25 x 34 x 0.80 mm				
	3402-022	AR	Shim, 25 x 34 x 0.85 mm				
	3402-023	AR	Shim, 25 x 34 x 0.90 mm				

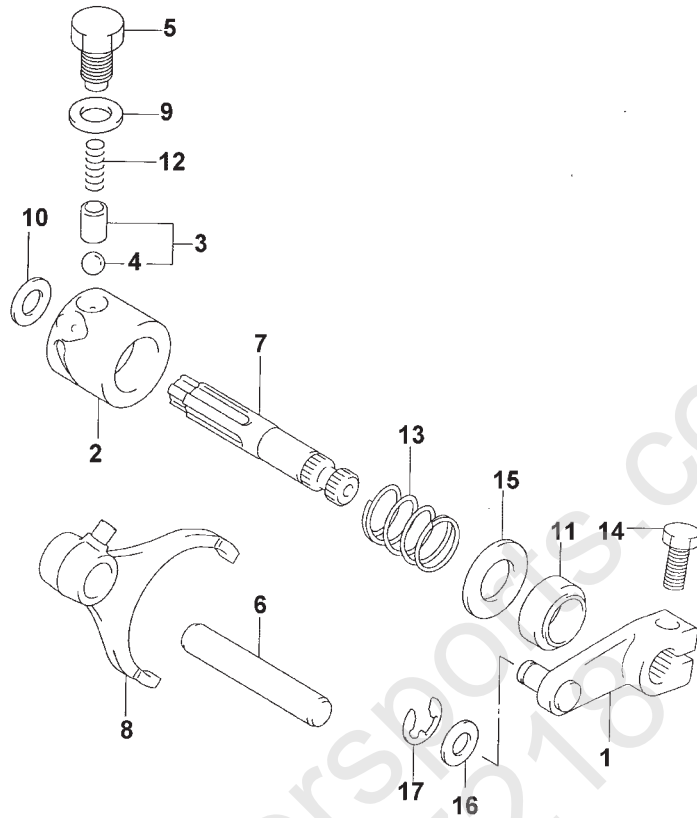
2000 ATV 500 AUTOMATIC



GEAR SHIFT ASSEMBLY

0735-620

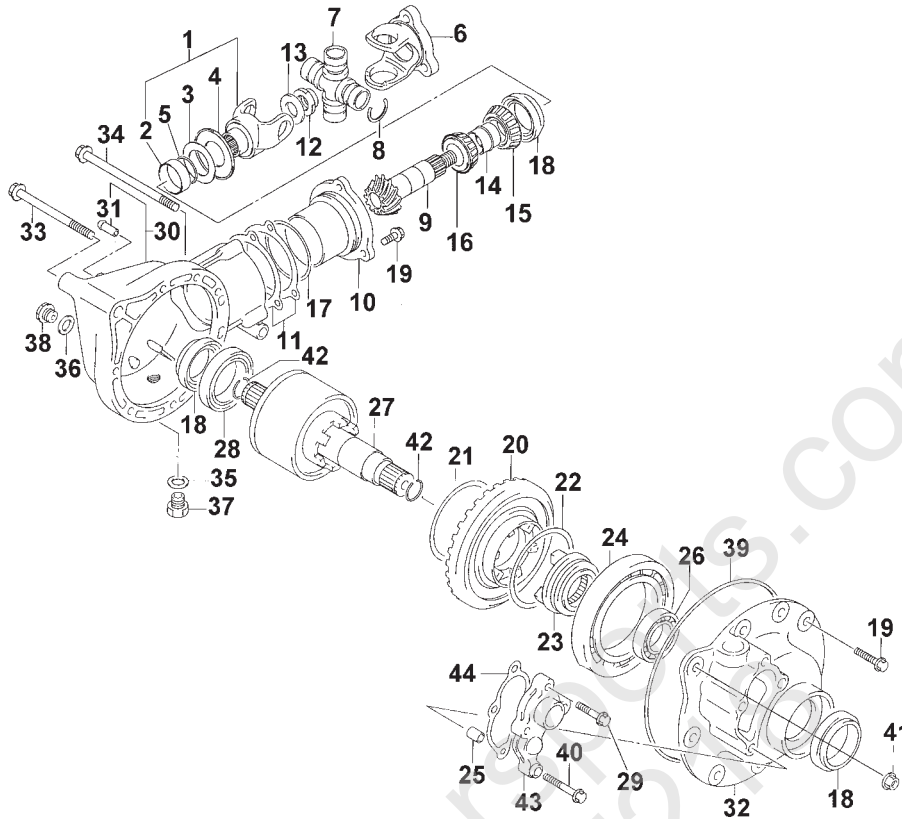
Ref.	Part No.	Qty.	Description	Ref.	Part No.	Qty.	Description
1	3446-264	1	Cam, Gear Shift - Reverse	13	3402-087	2	Spring
2	3446-265	2	Stopper, Shift Cam (inc. 3-4)	14	3402-382	2	Washer, Shift Cam Spring
3	3446-242	2	• Stopper	15	3423-191	4	Circlip, Shift Cam Spring
4	3446-113	2	• Spring	16	3423-416	1	C-Ring, Cam Stop
5	3446-266	1	Shaft, Shift Fork	17	3423-421	1	Washer, Shift Shaft
6	3446-073	2	Fork, Shift	18	3423-417	1	Washer, Shift Shaft
7	3423-418	2	Bolt	19	3402-434	1	Arm, Select
8	3446-267	1	Cam, Gear Shift	20	3423-204	1	Washer, Shaft Arm
9	3446-268	1	Shaft, Gear Shift	21	3004-341	1	Bolt, Shift Lever
10	3402-076	1	Seal, Gear Shift	22	3423-153	1	E-Ring, Shift Lever
11	3402-012	2	Gasket, Shift Cam Stopper	23	3530-031	1	Base, Gear Shift - Assembly
12	3446-104	2	Spring, Shift Cam	24	3423-044	2	Contact



SECONDARY GEAR SHIFT ASSEMBLY

0735-621

Ref.	Part No.	Qty.	Description	Ref.	Part No.	Qty.	Description
1	3402-434	1	Arm, Select	9	3402-012	1	Gasket, Cam Stopper
2	3446-203	1	Cam, Select	10	3423-300	1	Washer, Cam
3	3446-119	1	Stopper, Cam (inc. 4)	11	3402-076	1	Seal, Oil - Cam
4	3446-118	1	• Ball, Steel	12	3402-089	1	Spring, Cam Stopper
5	3446-046	1	Housing, Cam Stopper	13	3402-311	1	Spring, Cam
6	3446-202	1	Shaft, Shift Fork	14	3423-125	1	Bolt, Locking Arm
7	3446-204	1	Camshaft	15	3423-339	1	Washer, Cam - Left
8	3446-205	1	Fork, Shift	16	3423-204	1	Washer, Arm
				17	3423-168	1	E-Ring, Arm

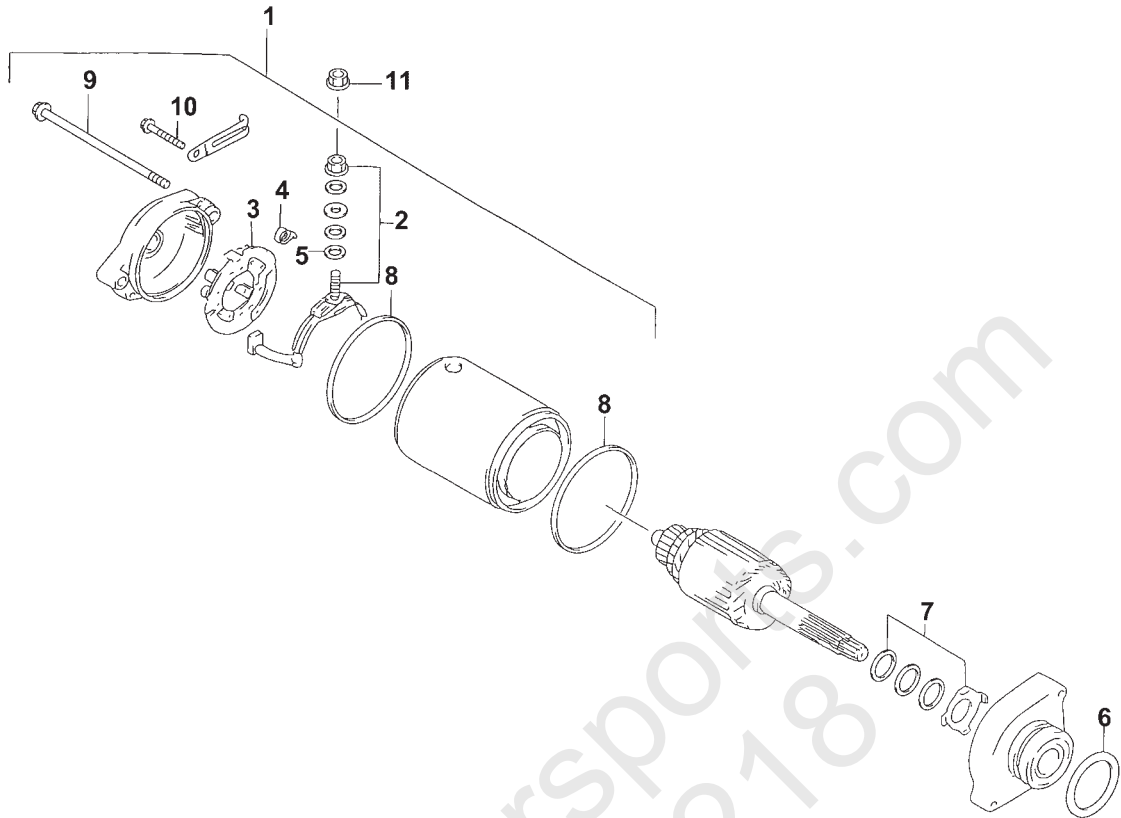


FINAL BEVEL GEAR ASSEMBLY (FRONT)

(Complete Assembly p/n 3502-003)

0735-622

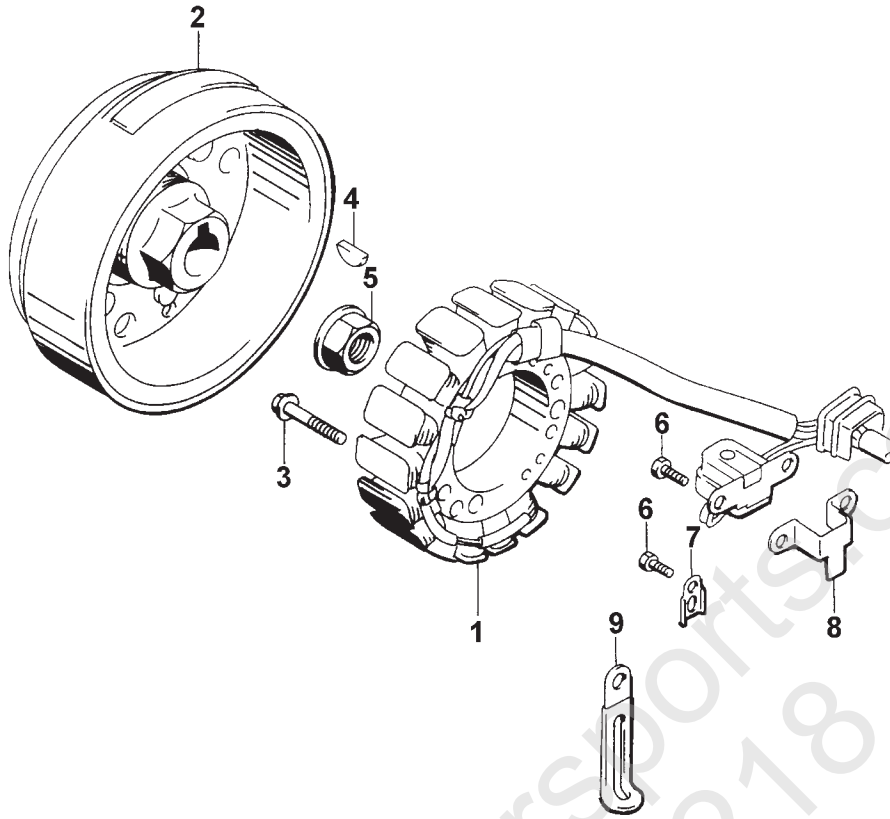
Ref.	Part No.	Qty.	Description	Ref.	Part No.	Qty.	Description
1	3435-090	1	Yoke, Drive Bevel Gear (inc. 2-5)	23	3435-075	1	Dog, Differential Lock
2	3435-029	1	• Collar, Yoke	24	3402-059	1	Bearing, Driven Bevel
3	3435-030	1	• Plate, Yoke	25	3005-206	2	Pin, Dowel
4	3435-035	1	• Plate, Yoke Collar	26	3402-185	1	Bearing, Driven Output Shaft
5	3423-060	1	• O-Ring, Yoke Collar	27	3435-093	1	Differential Assembly
6	3435-091	1	Yoke, Propeller Shaft	28	3402-057	1	Bearing, Differential Case - Right
7	3435-011	1	Joint, Universal - Set	29	3004-756	2	Bolt, Case Cover
8	3423-067	4	Circlip, Universal Joint	30	3435-024	1	Housing, Differential Gear (inc. 31)
9	3435-092	1	Gear, Drive Bevel	31	3402-084	1	• Union, Breather
10	3435-021	1	Housing, Drive Bevel Gear	32	3435-078	1	Case, Driven Gear Bearing
11	3435-022	1	Shim Set	33	3423-010	1	Bolt, Mounting - Differential Housing
12	3423-178	1	Nut, Drive Bevel Gear	34	3423-419	1	Bolt, Mounting - Differential Housing
13	3423-028	1	Washer, Drive Bevel Gear	35	3402-012	1	Gasket, Oil Drain Plug - Gear
14	3402-016	1	Spacer, Drive Bevel Gear	36	3402-013	1	Gasket, Oil Filler Plug - Gear
15	3402-066	1	Bearing, Drive Bevel Gear	37	3402-036	1	Plug, Oil Drain - Gear
16	3402-065	1	Bearing, Drive Bevel Gear	38	3423-180	1	Plug, Oil Filler - Gear
17	3423-064	1	O-Ring, Drive Bevel Gear Housing	39	3423-050	1	O-Ring, Driven Gear Bearing Case
18	3402-072	3	Seal	40	0693-327	2	Bolt, Case Cover
19	3423-175	9	Bolt	41	3423-341	2	Nut, Mounting - Differential Housing
20	3402-519	1	Gear, Driven Bevel	42	3423-070	2	Ring, Driveshaft
21	3435-017	1	Shim Set - Gear	43	3435-079	1	Cover, Driven Gear Case
22	3435-020	1	Shim Set - Bearing	44	3402-323	1	Gasket, Case Cover



STARTER MOTOR ASSEMBLY

0735-623

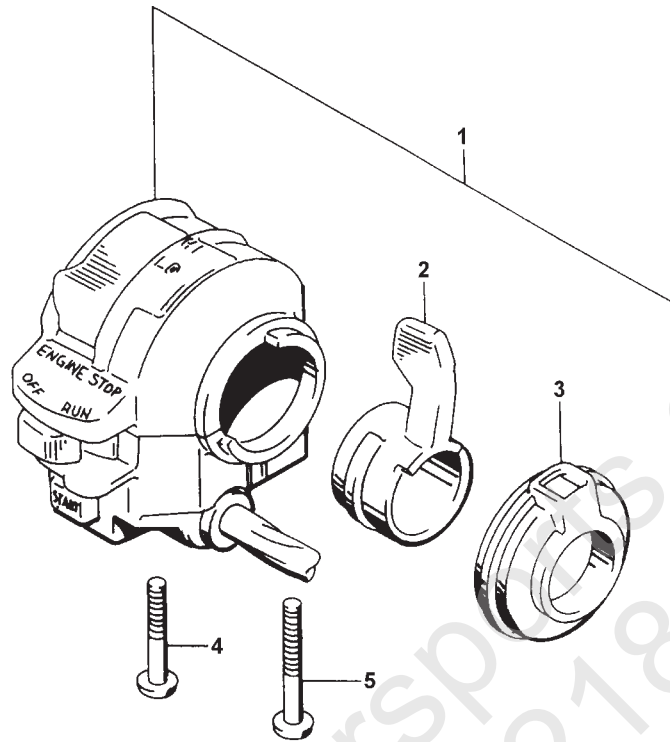
Ref.	Part No.	Qty.	Description	Ref.	Part No.	Qty.	Description
1	3545-015	1	Motor, Starter Assembly (inc. 2-9)	6	3423-084	1	• O-Ring
2	3008-094	1	• Terminal Set, Brush	7	3436-001	1	• Washer Set
3	3008-095	1	• Holder Set, Brush	8	3008-553	2	• O-Ring
4	3008-096	4	• Spring, Brush	9	3423-085	2	• Bolt
5	3008-164	1	• O-Ring	10	3423-162	2	Bolt
				11	3423-195	1	Nut



MAGNETO ASSEMBLY

0732-321

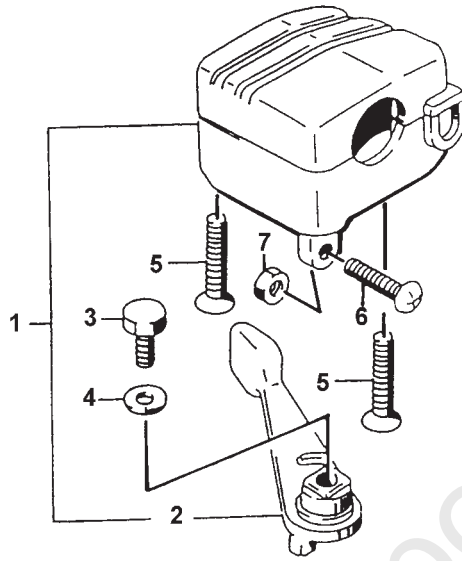
Ref.	Part No.	Qty.	Description	Ref.	Part No.	Qty.	Description
1	3430-045	1	Stator Assembly	5	3423-086	1	Nut, Magneto
2	3430-046	1	Rotor/Flywheel	6	3423-005	3	Bolt
3	3423-162	3	Bolt, Magneto	7	3430-005	1	Clamp, Magneto (No. 1)
4	0691-785	1	Key, Magneto	8	3430-006	1	Clamp, Magneto (No. 2)
				9	3002-964	1	Clamp, Wire



CONTROL SWITCH HOUSING ASSEMBLY

0732-323

Ref.	Part No.	Qty.	Description	Ref.	Part No.	Qty.	Description
1	3509-001	1	Switch, Control - Assembly (inc. 2-5)	3	3409-010	1	• Cover, Choke Lever
2	3409-009	1	• Lever, Choke	4	3423-196	1	• Screw
				5	3423-197	1	• Screw



THROTTLE CONTROL ASSEMBLY

0735-624

Ref.	Part No.	Qty.	Description	Ref.	Part No.	Qty.	Description
1	3509-003	1	Control, Throttle - Assembly (inc. 2-7)	4	0693-490	1	• Washer, Lock
2	3409-001	1	• Lever	5	3423-199	2	• Screw
3	3423-420	1	• Bolt	6	3423-014	1	• Screw
				7	3423-327	1	• Nut

Related Items

2000 ATV 500 cc AUTOMATIC

(Model No. A2000ATM4BUSR - Red) (Model No. A2000ATM4BUSG - Green)

0638-395	Antifreeze	0436-225	Rack Extension, 4 in.
0436-174	Bag, Rack, Front, Advantage	0436-226	Rack Extension, 8 in.
0436-143	Bag, Rack, Front, Black	0436-205	Rack Pouch, DLX Rack, Advantage
0436-207	Bag, Rack, Front, Wetlands	0436-204	Rack Pouch, DLX Rack, Black
0436-175	Bag, Rack, Rear, Advantage	0436-206	Rack Pouch, DLX Rack, Wetlands
0436-142	Bag, Rack, Rear, Black	0436-014	Safety Flag
0436-208	Bag, Rack, Rear, Wetlands	0436-173	Seat Cover, Advantage
0436-223	Bag, Tank, Advantage	0436-209	Seat Cover, Wetlands
0436-185	Bag, Tank, Black	0436-168	Shock Covers, Front
0436-212	Bag, Tank, Wetlands	0636-069	Silicone Sealant
0436-086	Battery, Heavy Duty	0436-228	Snowplow Blade, 50 in. (use w/0436-229)
0638-315	Brake Fluid, Hi-Temp	0436-231	Snowplow Deflector Flap (use w/0436-228)
0436-043	Cargo Box	0436-235	Snowplow Edge Markers (use w/0436-228)
0436-139	Cargo Trailer	0436-232	Snowplow End Plates (use w/0436-228)
0436-011	Cover, Advantage	0436-238	Snowplow Mount (use w/0436-228)
0436-010	Cover, Black and Green	0436-233	Snowplow Remote Angle Adjust (use w/0436-229)
0436-125	Cover, Gray Universal	0436-249	Snowplow, Hand Lift Lever Kit
0436-227	Cover, Mesh, Advantage	0217-632	Spark Plug, NGK CR6E
0436-216	Cover, Wetlands	0217-708	Spark Plug, NGK CR7E
0436-100	CV Joint Protectors, Front	0217-705	Spark Plug, NGK CR8E
0436-087	Electrical Plug	0217-711	Spark Plug, NGK CR8EK
0436-035	Engine Block Heater	0436-119	Spray & Wash Cleaner
0436-171	Fender Covers, Advantage	0436-218	Tape, 2 in. x 12 ft, Advantage
0436-197	Fender Covers, Wetlands	0436-213	Tape, 2 in. x 12 ft, Wetlands
0638-043	Fuel De-Icer	0436-219	Tape, 4 in. x 12 ft, Advantage
0638-165	Fuel Stabilizer	0436-214	Tape, 4 in. x 12 ft, Wetlands
0636-056	Funnel, Green	0436-220	Tape, 6 in. x 12 ft, Advantage
0638-015	Gas Container, 1.2 U.S. gal.	0436-215	Tape, 6 in. x 12 ft, Wetlands
0638-014	Gas Container, 2.5 U.S. gal.	0436-032	Tie-Down, Cam-Loc, Black
0638-013	Gas Container, 4 U.S. gal.	0436-031	Tie-Down, Cam-Loc, Green
0636-053	Gas Container, 6 U.S. gal.	0436-101	Tie-Down, Ratchet, Black
0670-111	Gas Container Cap	0436-026	Tire Chains, Size B
0638-016	Gas Container Flex-Spout	0436-027	Tire Chains, Size C (26x10.5-12 Tires)
0670-112	Gas Container Spacer	0436-042	Tire Repair, Deluxe
0436-200	Gun Scabbard Mount (only)	0436-041	Tire Repair, Standard
0441-281	Gun Scabbard (only)	0436-045	Tire Sealant
0436-199	Gun Scabbard w/Mount	0402-154	Tire, Titan AT471, 25x8-12, Deep Lug
0436-049	Handwarmers	0402-155	Tire, Titan AT471, 25x10-12, Deep Lug
0436-103	Hourmeter	0402-319	Tire, Titan AT489A, 25x10-12
0638-289	Loctite, #609	0402-318	Tire, Titan AT489A, 25x8-12
0436-007	Lube, Gear, 80W-90	0402-277	Tire, Titan AT495, 26x10.5-12
0436-141	Lunch Pack, Advantage	0402-563	Tire, Titan AT589, 25x10-12, Mud & Snow
0436-211	Lunch Pack, Wetlands	0436-034	Tool Holder
0436-122	Lunch Pack, Black	0436-222	Valuepack, Advantage
0436-154	Mirror	0436-221	Valuepack, Wetlands
0436-093	Mud Flap Kit, Front	0638-313	Vinyl Protectant
0436-005	Oil, Engine, 10W-40	0436-068	Winch Accessories Kit
0436-003	Oil, Engine, 5W-30	0436-145	Winch Kit, 2000 lb
0652-024	Paint, Powder Black	0436-224	Winch Kit, 2500 lb
0652-021	Paint, Satin Black	0436-242	Winch Mounting Kit
0636-054	Plug Caddy	0436-233	Winch Update Kit
0436-051	Portable Spot Light Mount	0436-210	Windshield
0436-040	Portable Spot Light		
0436-039	Portable Work Light		
0436-176	Prefilter, Air Filter		

■ NOTE: For a complete list of related items, refer to the current accessory catalog.

